



beck
concrete mixers

[877] 777-BECK
www.beckindustrial.com/store
In-Stock and ready to ship.

MIXER PARTS CATALOG

BECK OEM PARTS AND COMPATIBLE PARTS FOR MOST MIXERS

Replacement Parts and new mixers supplied by Beck Industrial are held to the same quality standards, and backed by the most comprehensive warranty in the industry.



2019



beck
concrete mixers

beck industrial

INDEX



HOPPERS AND COLLECTORS

Charge Hoppers	6-9
Collection Hoppers	10-12

CHUTES

Main Chutes	16-18
Fold-Over Chutes	19-24
Extension Chutes	25-29

FENDERS

One Piece Fenders	32
Three Piece Fenders	33-35
Five Piece Fenders	36-37
Plastic Fenders	38-39
Impact Guards	40-41
Fender Accessories	42-49

PEDESTALS

Rear Pedestal and Accessories	54-56
Pivot Assemblies	57-60
Chute Locks	61-63
Ladders and Platforms	64-68
Rollers	69-70
Front Pedestals	71

INTERSTATE CLASS / BRIDGE AXLE

Parts and Accessories	74-80
-----------------------------	-------

WATER SYSTEM

Water Tanks and Accessories	84-90
Water System Accessories	91-95
SAFEJET and Accessories	96-97

PNEUMATIC SYSTEM

Air Control Valves and Accessories	100-102
--	---------

HYDRAULIC SYSTEM

Hydraulic System Parts	106-108
Chute Blocks	109-110
Hydraulic Tanks and Brackets	111
Dyna-Chutes	112-113
Transmissions	114
Pumps and Motors	115-118
Drive Lines.....	119-121

CONTROLS

Remotes and Pendants	124
Control Boxes and Accessories	125-129
Can-Bus Controls	130
Control Cables	131

LIGHTING AND ELECTRICAL

Switches and Accessories	134-138
Lights and Accessories	139-141

MISCELLANEOUS

Drum Parts	144-145
Drum Measurement Sheet	146
Camera Systems	147

beckindustrial.com/store

877-777-BECK



beck industrial

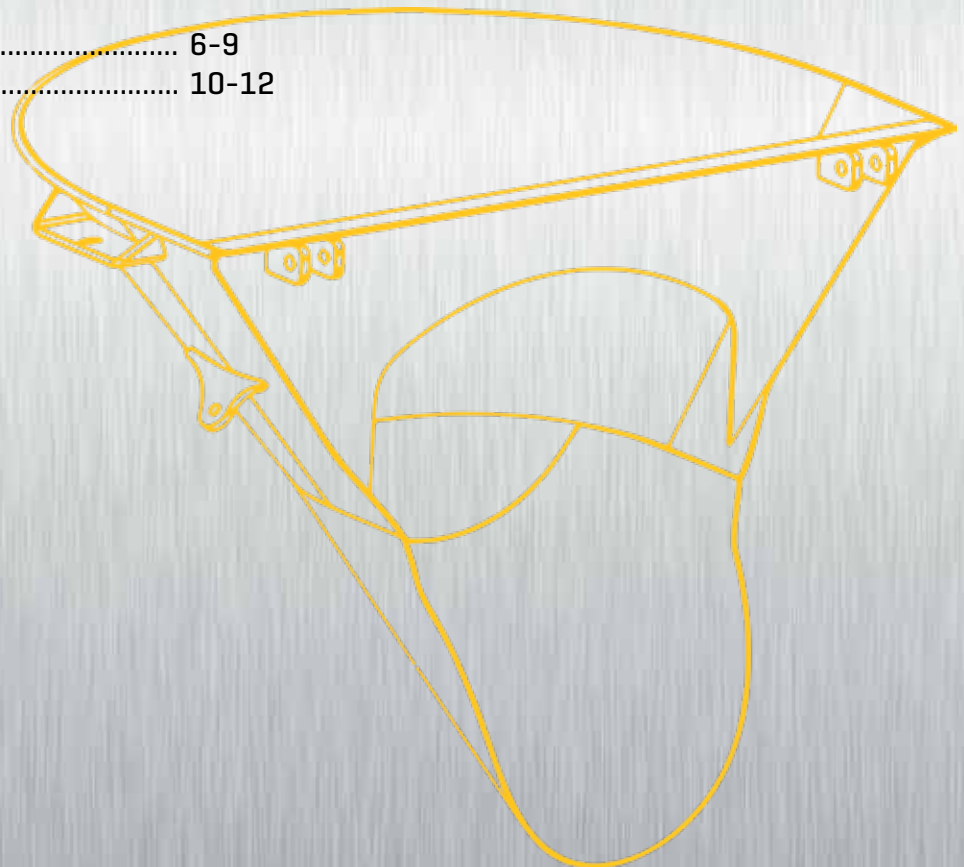
bed n' stool

STAGE II
40% KPA/C

WARNING
DO NOT OPERATE
WITHOUT PROPER
TRAINING
PROCEED WITH CAUTION

HOPPERS AND COLLECTORS

Charge Hoppers 6-9
Collection Hoppers 10-12



beckindustrial.com/store
877-777-BECK

CHARGE HOPPERS



43000 - Beck Charge Hopper [Pre 2013]
43100 - Beck Charge Hopper Lined [Pre 2013]

COMPATIBLE WITH

MTM
1358273



43700
Beck Low Profile Charge Hopper [Pre 2013]



43150 - Beck Charge Hopper [Post 2013]
43155 - Beck Charge Hopper Lined [Post 2013]
43150HX - Beck Charge Hopper HARDOX® [Post 2013]



43160 - Beck Low Profile Charge Hopper [Post 2013]
43170 - Beck Low Profile Charge Hopper Lined [Post 2013]
43160HX - Beck Low Profile Charge Hopper HARDOX® [Post 2013]



43515
MTM Standard Charge Hopper [1993 Model]

COMPATIBLE WITH

MTM
0153370

CON-TECH
215070



43535 - MTM Standard Charge Hopper
43535L - MTM Standard Charge Hopper Lined
43535HX - MTM Standard Charge Hopper HARDOX®

COMPATIBLE WITH

MTM
0155140

CON-TECH
215277

CHARGE HOPPERS



43520

MTM Standard Charge Hopper [Drop Mount]

COMPATIBLE WITH

MTM
1130109



43530

MTM Paver Charge Hopper

COMPATIBLE WITH

MTM
0155130

CON-TECH
215191



43545

MTM Paver Charge Hopper [Drop Mount]

COMPATIBLE WITH

MTM
0153605

CON-TECH
215289



43650 - CBMW Paver Charge Hopper

43650L - CBMW Paver Charge Hopper Lined

43650HX - CBMW Paver Charge Hopper HARDOX®

COMPATIBLE WITH

MTM
0250100

CBMW
90540900



43635

CBMW Standard Charge Hopper [Express Mixers]

COMPATIBLE WITH

CBMW
90541100



43640

CBMW Standard Charge Hopper [Schuster Style]

COMPATIBLE WITH

CBMW
41542190

CHARGE HOPPERS



43660
CBMW Paver Charge Hopper [Low Profile]

COMPATIBLE WITH

CBMW
90540800



48010
Beck Charge Hopper Tilt Cylinder

COMPATIBLE WITH

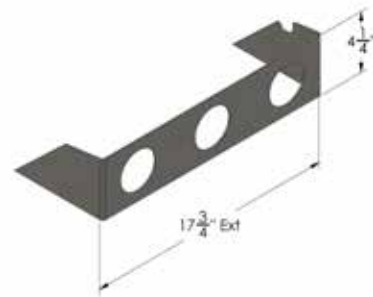
CBMW **CON-TECH**
8015692 **750002**



48110
MTM Charge Hopper Tilt Cylinder

COMPATIBLE WITH

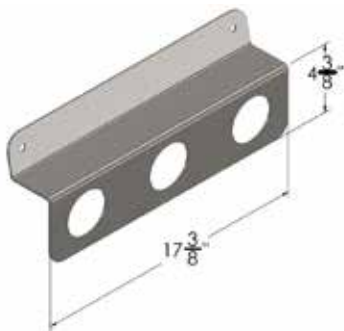
MTM
0107616



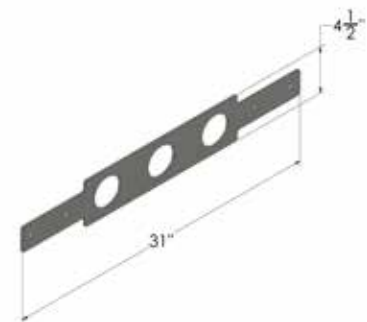
43018
Charge Hopper 3 Hole Light Bar

COMPATIBLE WITH

CON-TECH
215077



43012
Beck Lower Light Plate [Rear Pedestal]



43510
MTM 3 Hole Light Plate [Rear Pedestal]

COMPATIBLE WITH

MTM
0153578

CHARGE HOPPERS



43602
CBMW 3 Hole Light Bar [Express Mixers]

COMPATIBLE WITH

CBMW **CON-TECH**
90815403 **705323**



43604
CBMW 3 Hole Light Bar [Collection Hopper]

COMPATIBLE WITH

CBMW
90810201



43601
CBMW Charge Hopper Cushion 2"

COMPATIBLE WITH

CBMW
90540906



43008
Beck Rolled Light Tube [Charge Hopper Mount]

COMPATIBLE WITH

MTM **CON-TECH**
0130256 **215080**



48011
Beck Mounting Tab for Charge Hopper Tilt

COMPATIBLE WITH

CON-TECH
215076



43200
Hardware Kit for Charge Hopper

COMPATIBLE WITH

CON-TECH
705323

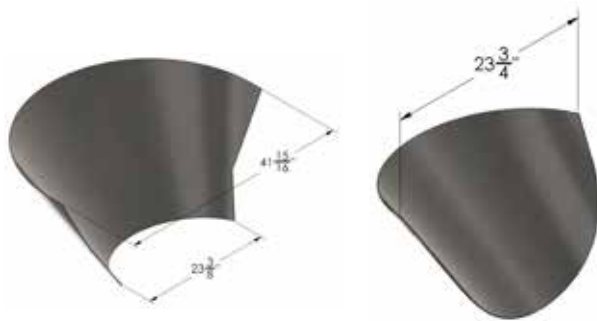
CHARGE HOPPERS



43101 - Beck Upper Charge Hopper Liner
43102 - Beck Lower Charge Hopper Liner



43155L1 - Beck Upper Charge Hopper Liner
[Post 2013]
43155L2 - Beck Lower Charge Hopper Liner
[Post 2013]



43535L1 - MTM Standard Upper Charge Hopper Liner
43535L2 - MTM Standard Lower Charge Hopper Liner

COMPATIBLE WITH

MTM 0150266
MTM 0150226



43650L-01 - CBMW Paver Upper Charge Hopper Liner
43650L-02 - CBMW Paver Lower Charge Hopper Liner

COMPATIBLE WITH

CBMW 90540901
CBMW 90540904

COLLECTION HOPPERS



44000
Beck Standard Collection Hopper (Pre 2012)



44125
Beck Standard Collection Hopper (Post 2012)
MTM Standard Collection Hopper (Revolution)



44100
Beck Paver Collection Hopper (Pre 2012)



44150
Beck/MTM Paver Collection Hopper (Post 2012)

COMPATIBLE WITH

MTM
0153535



44500
MTM Standard Collection Hopper

COMPATIBLE WITH

MTM
153330

CON-TECH
215055



44630
BMW Standard Collection Hopper

COMPATIBLE WITH

MTM
1329017

CBMW
90550500

COLLECTION HOPPERS



44625
CBMW Standard Collection Hopper [Express Mixers]

COMPATIBLE WITH

MTM	CBMW
1332449	90550800



44700
CBMW Paver Collection Hopper

COMPATIBLE WITH

MTM	CBMW
1333484	90550700



44665
CBMW Paver Collection Hopper [Bridge Saver]

COMPATIBLE WITH

MTM	CBMW
1540785	90550905



45000
Slotted Bib with 11 holes

COMPATIBLE WITH

MTM	CBMW	CON-TECH
0115236	80550136	730002



45000P
Slotted Polyurethane Bib

COMPATIBLE WITH

MTM	CON-TECH
0115236	730003



45100
Solid Bib with 11 Holes

COMPATIBLE WITH

MTM	CBMW	CON-TECH
1138195	80550325	730060

COLLECTION HOPPERS



45000HK
Bib Hardware Kit

COMPATIBLE WITH

CON-TECH
705325



1C416SS
Bib Bolt 1/4" x 1"

COMPATIBLE WITH

CON-TECH
705051



1E04FSS
Bib Washer 1/4" x 1-1/2"

COMPATIBLE WITH

CON-TECH
705006



1E04SS
Bib Flat Washer 1/4"



2E04SS
Bib Lock Washer 1/4"



17D4N
Bib Nylon Nut 1/4"

COMPATIBLE WITH

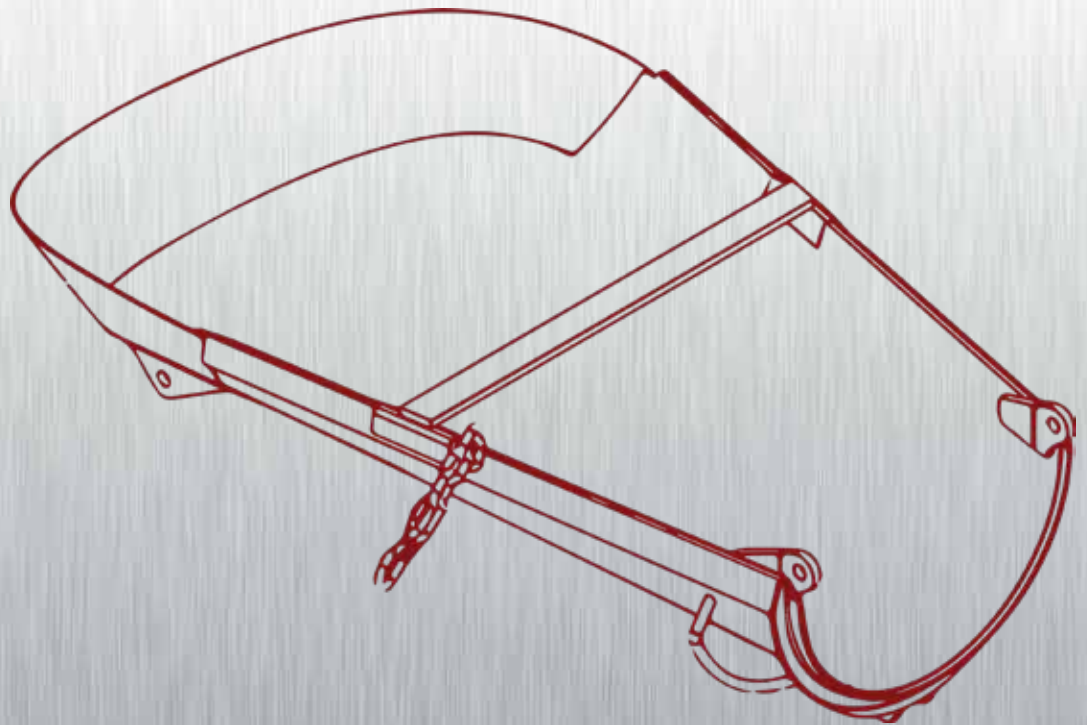
MTM
1100401

CON-TECH
705007



CHUTES

Main Chutes	16-18
Fold-Over Chutes	19-24
Extension Chutes	25-29



beckindustrial.com/store
877-777-BECK



40000
Beck Main Chute [Pre 2012]

COMPATIBLE WITH

MTM
0152625



40300 - Beck Main Chute [Post 2012]
40300L - Beck Main Chute Lined [Post 2012]
40300HX - Beck Main Chute HARDOX® [Post 2012]

COMPATIBLE WITH

MTM
1358262



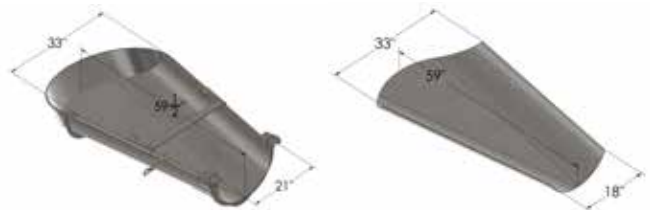
40300H - Beck Main Chute with Hydraulic Fold-Over Mount
40300LH - Beck Main Chute with Hydraulic Fold-Over Mount Lined



40300XL
Beck Main Chute 70" Long



40355
Beck Interstate Class Main Chute [Post 2014]

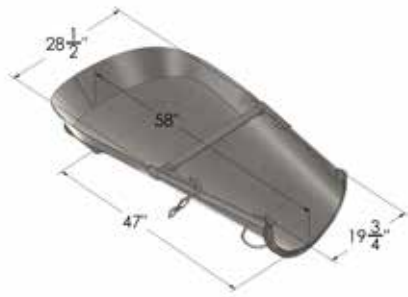


40555 - CBMW Main Chute
40555L - CBMW Main Chute Lined
40555L-01 - CBMW Main Chute Liner

COMPATIBLE WITH

MTM **CBMW 90512820**
1366110 **CBMW 90512811**

MAIN CHUTES



40565 - MTM Main Chute
40565L - MTM Main Chute Lined

COMPATIBLE WITH

MTM
0152625

CON-TECH
225181



40565-01L
MTM Main Chute Liner

COMPATIBLE WITH

MTM
0150594



40060 - Oshkosh Front Discharge Main Chute +2 Fold-Over Assembly
40060L - Oshkosh Front Discharge Main Chute +2 Fold-Over Assembly Lined

COMPATIBLE WITH

MTM
3646506



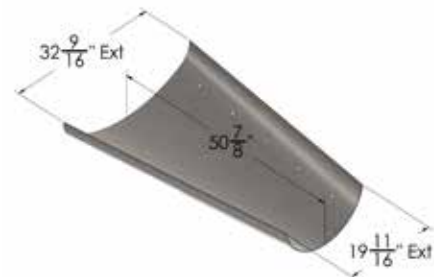
40060HK
Hardware Kit for part 40060 Oshkosh Assembly



40110 - Oshkosh Main Chute
40110L - Oshkosh Main Chute Lined

COMPATIBLE WITH

MTM
3646507



40110L-01
Oshkosh Main Chute Liner



48050
Oshkosh Chute Lock Air Cylinder

COMPATIBLE WITH

MTM
3053661



67050
Oshkosh Hydraulic Cylinder Front
Dishcharge Chutes 1 and 2

COMPATIBLE WITH

MTM
3329891



67010
Beck 2-1/2" Universal Cylinder - Double
or Single Acting

COMPATIBLE WITH

MTM
0107596

CBMW
80256733



67012
Beck Hydraulic Fold-Over Chute Cylinder



67014
Beck Hydraulic Assist Cylinder
Connector Plate



67016
Beck Hydraulic Assist Fold-Over Crank
Arm



40170
Lock Chain Assembly

COMPATIBLE WITH

MTM **CBMW** **CON-TECH**
0115328 **10500010** **225025**



40172
Snap Hook

COMPATIBLE WITH

MTM
0115327



40173
Oval Quick Link Connect

COMPATIBLE WITH

MTM
0115329



1C14320
Main Chute Bolt 7/8" x 20"



1E14
Main Chute Flat Washer 7/8"



17D11
Main Chute Toplock Nut 7/8"

FOLD-OVER CHUTES



41000 - Beck/MTM Standard Transitional Fold-Over
41000HX - Beck/MTM Standard Transitional Fold-Over
 HARDOX®

COMPATIBLE WITH

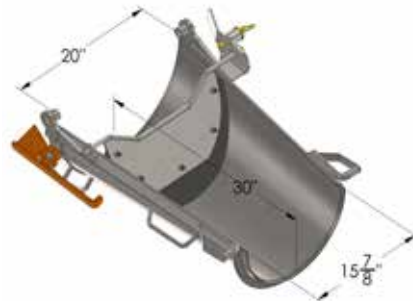
MTM	CBMW	CON-TECH
152630	80522430	225030



41000FS
 Beck/MTM Standard Transitional Fold-Over with Finger
 Saver



41000SS
 Beck/MTM Standard Transitional Fold-Over with Spill
 Stopper



41000FS/SS
 Beck/MTM Standard Transitional Fold-Over with Finger
 Saver & Spill Stopper



41000H - Beck/MTM Standard Transitional Fold-Over
 with Hydraulic Fold-Over Mount
41000HL - Beck/MTM Standard Transitional Fold-Over
 with Hydraulic Fold-Over Mount Lined



41000HSS
 Beck/MTM Standard Transitional Fold-Over with
 Hydraulic Fold-Over Mount with Spill Stopper

FOLD-OVER CHUTES



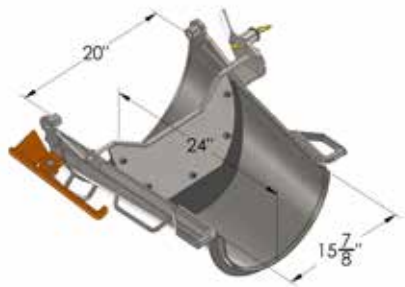
41215
MTM Standard Transitional 36" Fold-Over

COMPATIBLE WITH

MTM
151600



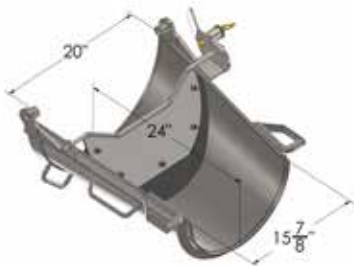
41024 - Beck/MTM Standard Transitional 24" Fold-Over
41024L - Beck/MTM Standard Transitional 24" Fold-Over Lined
41024HX - Beck/MTM Standard Transitional 24" Fold-Over HARDOX®



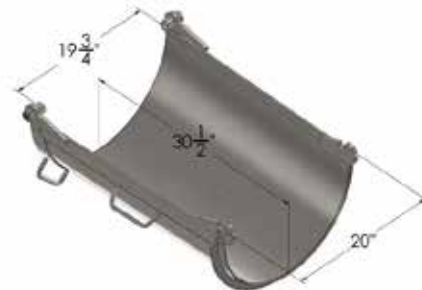
41024FSSS
Beck/MTM Standard Transitional 24" Fold-Over with Finger Saver & Spill Stopper



41024LH
Beck/MTM Standard Transitional 24" Fold-Over with Hydraulic Fold-Over Mount Lined



41024SS - Beck/MTM Standard Transitional 24" Fold-Over with Spill Stopper
41024LSS - Beck/MTM Standard Transitional 24" Fold-Over with Spill Stopper Lined



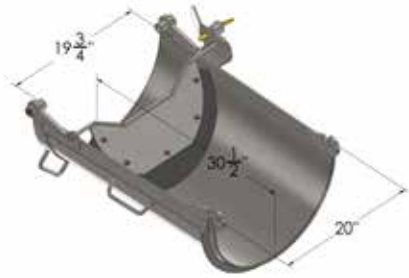
41300
Beck/MTM Paver Fold-Over

COMPATIBLE WITH

MTM
1225709

CON-TECH
225049

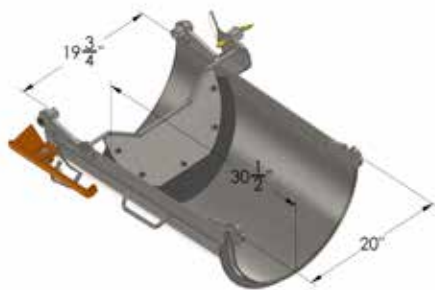
FOLD-OVER CHUTES



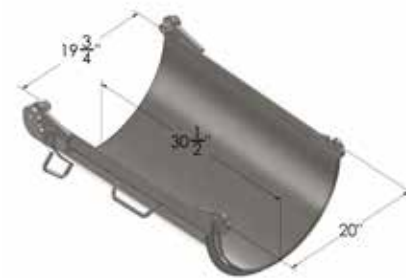
41300SS
Beck/MTM Paver Fold-Over with Spill Stopper



41300FS
Beck/MTM Paver Fold-Over with Finger Saver



41300FS/SS
Beck/MTM Paver Fold-Over with Finger Saver & Spill Stopper



41300H
Beck Paver Fold-Over with Hydraulic Fold-Over Mount



41300HSS
Beck Paver Fold-Over with Hydraulic Fold-Over Mount & Spill Stopper



41319
Beck/MTM Paver 19" Fold-Over

COMPATIBLE WITH

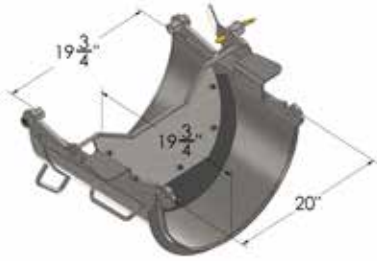
MTM
1225292

CON-TECH
225076

FOLD-OVER CHUTES

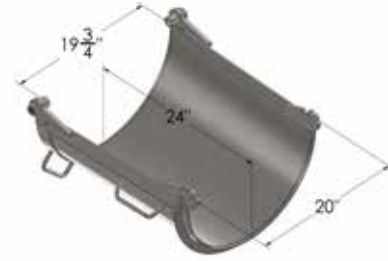
HOUSTON (281) 881-1104 · GEORGIA (336) 264-3308 · PANAMA (507) 229-3128 · MEXICO +52(778) 735-9750

FOLD-OVER CHUTES



41319SS

Beck/MTM Paver 19" Fold-Over with Spill Stopper



41324

Beck/MTM Paver 24" Fold-Over

COMPATIBLE WITH

MTM
1225293



41560

CBM To Beck/MTM Conversion Fold-Over



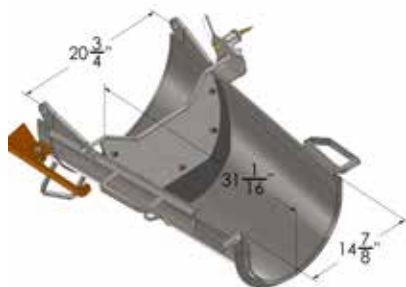
41513 - CBMW Standard Transitional Fold-Over

41513L - CBMW Standard Transitional Fold-Over Lined

COMPATIBLE WITH

MTM
0250230

CBMW
90522495



41513FSSS

CBMW Standard Transitional Fold-Over with Finger Saver & Spill Stopper



41524 - CBMW Standard Transitional 24" Fold-Over

41524L - CBMW Standard Transitional 24" Fold-Over Lined

COMPATIBLE WITH

MTM
1332364

CBMW
90522595

FOLD-OVER CHUTES



41550
BMW Paver Fold-Over

COMPATIBLE WITH

MTM	CBMW
1140521	90520108



41200 - Oshkosh Stage 2 Fold-Over [Oshkosh part 3646508]

41200L - Oshkosh Stage 2 Fold-Over Lined [Oshkosh part 3646508]



41210 - Oshkosh Stage 3 Fold-Over [Oshkosh part 3646509]

41210L - Oshkosh Stage 3 Fold-Over Lined [Oshkosh part 3646509]



47650
Chute Stop/Finger Saver

COMPATIBLE WITH

MTM	CON-TECH
0150240	225240



47600
Spill Stopper



47633
Spill Stopper Rubber Insert



47635
Spill Stopper Locking Pin



47660 - Rock Blocker Assembly [Black]
47660-0 - Rock Blocker Assembly [Orange]

COMPATIBLE WITH		
MTM	CBMW	CON-TECH
1327549	80500260	225176



47661 - Rock Blocker Insert [Black]
47671 - Rock Blocker Insert [Orange]

COMPATIBLE WITH		
MTM	CBMW	CON-TECH
1320859	90500261	225161



47662
Rock Blocker Lower Weld Bracket

COMPATIBLE WITH
CON-TECH 225175



47663
Rock Blocker Upper Weld Pivot Bracket

COMPATIBLE WITH
CON-TECH 225169



47664
Rock Blocker Upper Mount Bracket



47665
Rock Blocker Upper Face Bracket

COMPATIBLE WITH
CON-TECH 225164



47666
Rock Blocker Upper Inner Clamp Bracket

COMPATIBLE WITH
CON-TECH 225163



47667
Rock Blocker Lower Mount Pivot Bracket

COMPATIBLE WITH
CON-TECH 225168



47668
Rock Blocker Lower Face Bracket

COMPATIBLE WITH
CON-TECH 225165



47669
Rock Blocker Lower Inner Clamp Bracket

COMPATIBLE WITH
CON-TECH 225162



47760 - Beck/MTM Chute Shutter
47767 - CBMW Chute Shutter

COMPATIBLE WITH		
MTM	CBMW	CON-TECH
1182512	10500160	725100

EXTENSION CHUTES



42000 - Beck/MTM 14 Ga. Standard Extension Chute
42000L - Beck/MTM 14 Ga. Standard Extension Chute Lined

COMPATIBLE WITH

MTM	CBMW	CON-TECH
1275121	80532200	225001



42060 - Beck 18 Ga. Standard Extension Chute [Ultralight Weight]

42050 - Beck/MTM 16 Ga. Standard Extension Chute

COMPATIBLE WITH

MTM	CON-TECH
0151665	770066



42000ALH
 Beck/MTM Aluminum Standard Extension Chute

COMPATIBLE WITH

MTM	CON-TECH
1323744	770067



42024
 Beck 24" Standard Extension Chute [Pump Chute]



42350
 Beck/MTM Conversion Extension Chute

COMPATIBLE WITH

MTM	CON-TECH
0151660	225053



42300 - Beck/MTM 14 Ga. Paver Extension Chute
42700 - Beck/MTM 16 Ga. Paver Extension Chute

COMPATIBLE WITH

MTM	CON-TECH
0082315	225051



42065 - Beck/MTM 18 Ga. Paver Extension Chute
[Ultralight Weight]

42300A - Beck/MTM Aluminum Paver Chute

COMPATIBLE WITH

MTM
82315AL



42324

Beck 24" Paver Extension Chute



42400 - CBMW 14 Ga. Standard Extension Chute

42400L - CBMW 14 Ga. Standard Extension Chute Lined

COMPATIBLE WITH

MTM **CBMW**
0250330 **10530092**



42415 - CBMW 16 Ga. Standard Extension Chute

42425 - CBMW 18 Ga. Standard Extension Chute
[Ultralight Weight]

COMPATIBLE WITH

MTM **CBMW**
1526262 **10539216**



42400ALH

CBMW Aluminum Standard Extension Chute

COMPATIBLE WITH

MTM **CBMW**
1525232 **10530192**



42455

CBMW 36" Paver to Standard Transitional Extension
Chute

COMPATIBLE WITH

MTM **CBMW**
1545965 **90532392**

EXTENSION CHUTES



42250 - Advance/Terex 18 Ga. Standard Extension Chute [Ultralight Weight]

42250A - Advance/Terex Aluminum Standard Extension Chute

COMPATIBLE WITH

CBMW
82531129

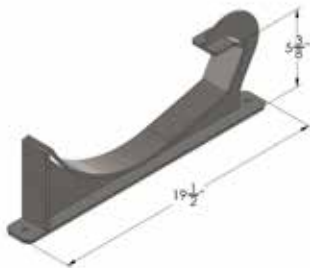


42200 - Oshkosh 18 Ga. Standard Extension Chute [Ultralight Weight]

42200A - Oshkosh Aluminum Standard Extension Chute

COMPATIBLE WITH

CBMW
87532335

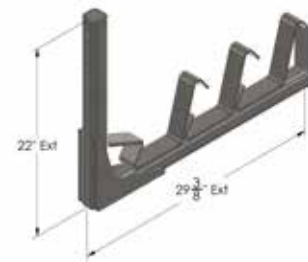


46000 - Beck/MTM Aluminum Fender Mount Standard Single Chute Bracket for part 42000 & 42050 [See page 25]

46010 - Beck/MTM Steel Fender Mount Standard Single Chute Bracket for part 42060 [See page 25]

COMPATIBLE WITH

MTM
0013313



46100

Beck/MTM Frame Standard Chute Bracket

COMPATIBLE WITH

MTM
0152930 **CON-TECH**
215085

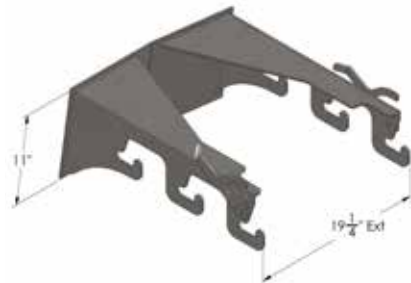


46150

Beck/MTM Frame Paver Chute Bracket

COMPATIBLE WITH

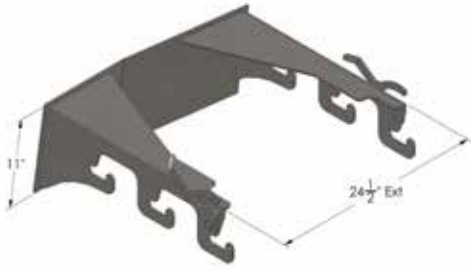
CON-TECH
225130



46400

Beck/MTM/Con-Tech Standard Extension Chute Vertical Front Pedestal Mount Hanger

EXTENSION CHUTES



46500

Beck/MTM Paver Extension Chute Vertical Front Pedestal Mount Hanger



46450

Beck Standard Extension Chute Vertical Rear Pedestal Mount Hanger

COMPATIBLE WITH

**MTM
1140851**



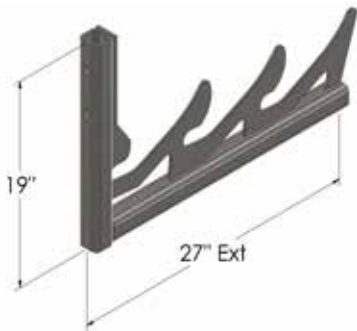
46456

Beck Chute Bumper Plate, Rear Pedestal for use with part 46450 [See page 28]



46425

Beck Chute Bumper Plate, Front Pedestal for use with parts 46500 & 46400 [See pages 27/28]



46700

CBMW Frame Standard Chute Bracket

COMPATIBLE WITH

**CBMW
90601196**



39000

Plastic Chute Scraper

COMPATIBLE WITH

**MTM
0002060**

**CON-TECH
730075**

EXTENSION CHUTES



46200 - Aluminium Chute Clip

46201 - Plastic Chute Clip

COMPATIBLE WITH

MTM
0082650

CON-TECH
705002



46250

10" Chute Strap Assembly [Standard]

COMPATIBLE WITH

MTM
1171963

CON-TECH
705004



46255

15" Chute Strap Assembly [Paver]

COMPATIBLE WITH

MTM
1171964

CON-TECH
705026



46300

10" Rubber Chute Strap

COMPATIBLE WITH

MTM
0082654

CON-TECH
730012



46315

15" Rubber Chute Strap

COMPATIBLE WITH

MTM
0082658

CON-TECH
730013



46405

Vertical Chute Mount Strap [For use with Standard, Front & Rear]

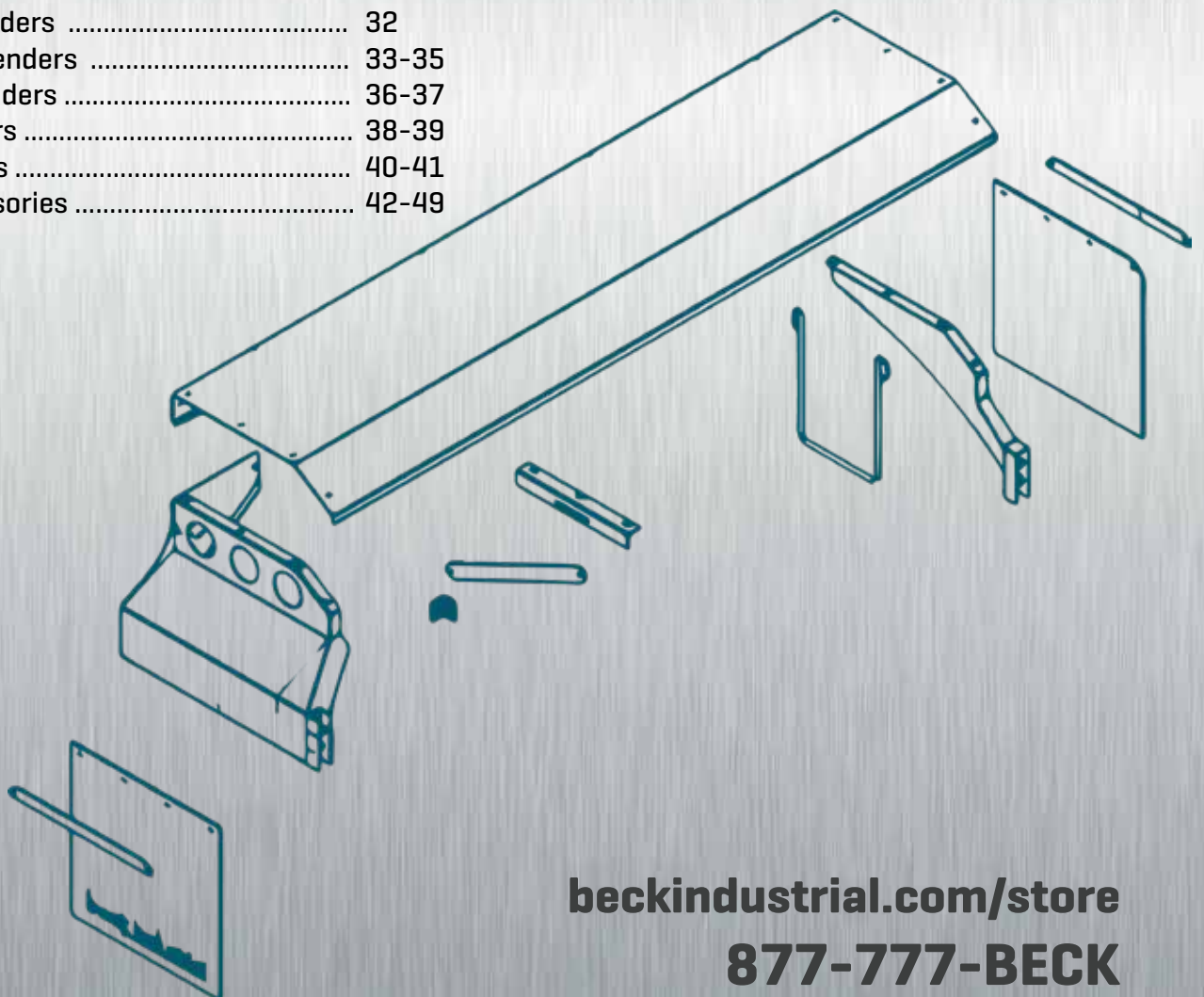
beck
concrete mixers

beck industrial



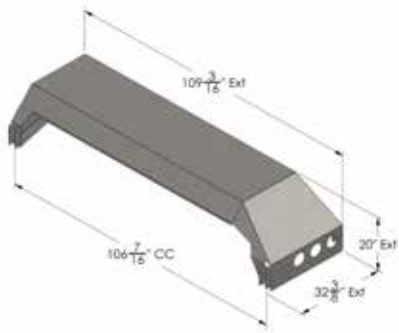
FENDERS

One Piece Fenders	32
Three Piece Fenders	33-35
Five Piece Fenders	36-37
Plastic Fenders	38-39
Impact Guards	40-41
Fender Accessories	42-49

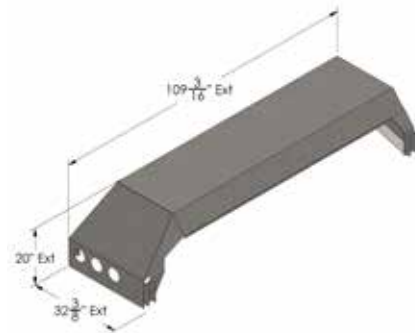


beckindustrial.com/store
877-777-BECK

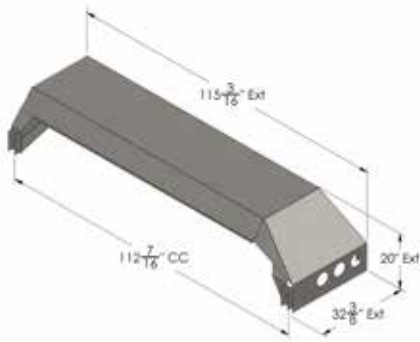
ONE PIECE FENDERS



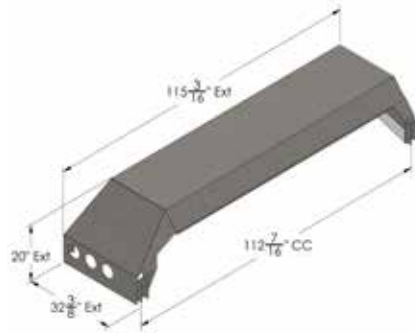
15650
Beck Steel 1 Pc RH Fender- 89" Top Plate [Post 2012]



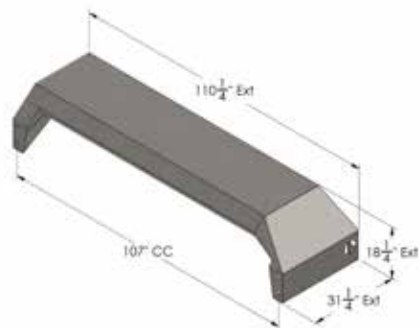
15750
Beck Steel 1 Pc LH Fender- 89" Top Plate [Post 2012]



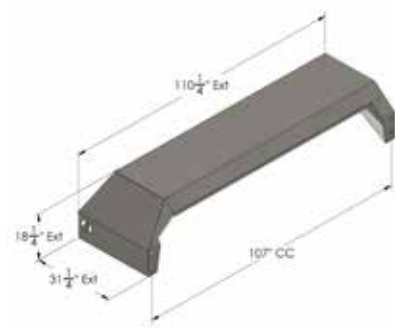
15600
Beck Steel 1 Pc RH Fender- 95" Top Plate [Pre 2012]



15700
Beck Steel 1 Pc LH Fender- 95" Top Plate [Pre 2012]



15960
CBMW Steel 1 Pc RH Fender



15950
CBMW Steel 1 Pc LH Fender

COMPATIBLE WITH

MTM
1372880

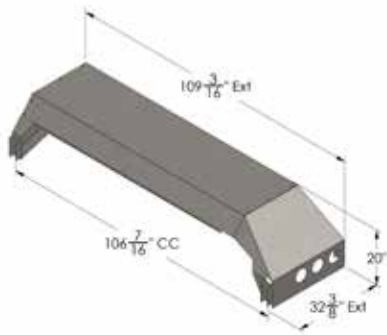
CBMW
90640688

COMPATIBLE WITH

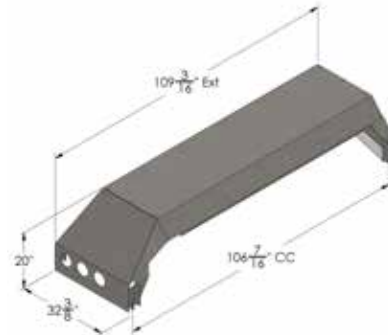
MTM
1372879

CBMW
90640687

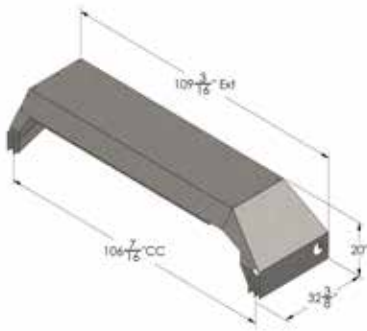
THREE PIECE FENDERS



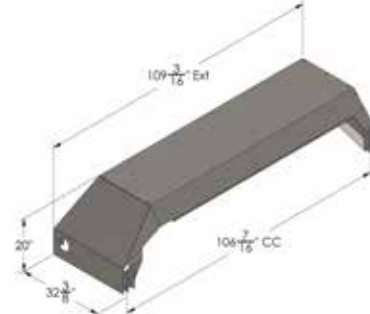
15000
Beck 3 Pc RH Fender Assembly (Pre 2015)



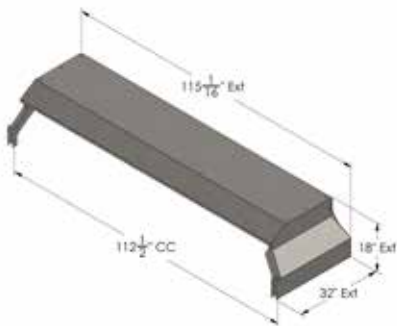
15100
Beck 3 Pc LH Fender Assembly (Pre 2015)



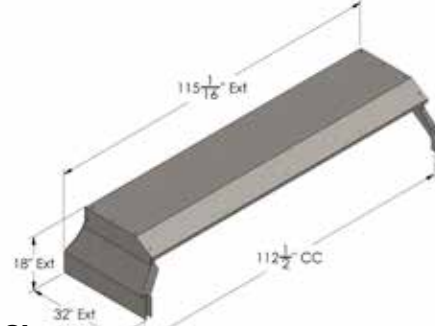
15000-1
Beck 3 Pc RH Fender Assembly- 1 Light (Pre 2015)



15100-1
Beck 3 Pc LH Fender Assembly- 1 Light (Pre 2015)

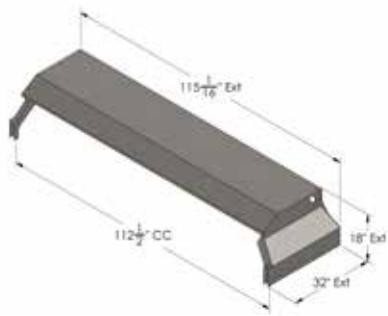


15560-0L
Beck 3 Pc RH Fender Assembly- No Lights (Post 2015)



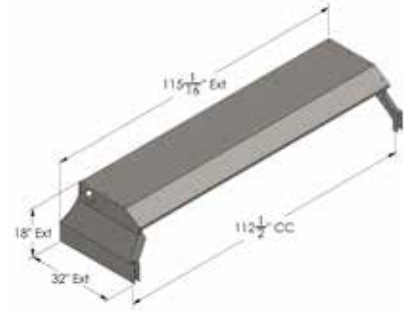
15660-0L
Beck 3 Pc LH Fender Assembly- No Lights (Post 2015)

THREE PIECE FENDERS



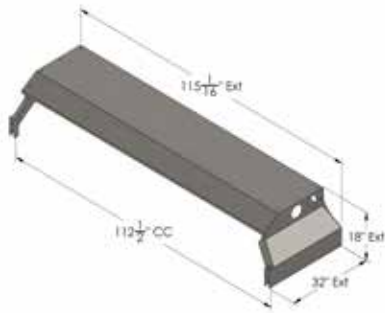
15560-1L - Beck 3 Pc RH Fender Assembly- 1 Light [Post 2015]

15560-A1L - Beck 3 Pc RH Aluminium Top Plate Fender Assembly- 1 Light [Post 2015]



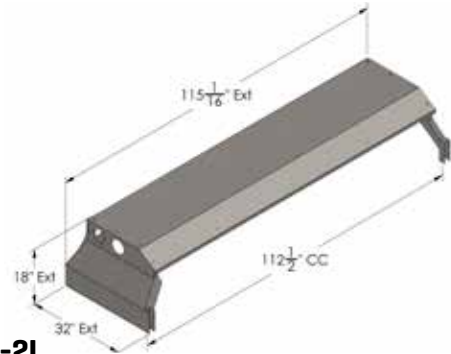
15660-1L - Beck 3 Pc LH Fender Assembly- 1 Light [Post 2015]

15660-A1L - Beck 3 Pc LH Aluminium Top Plate Fender Assembly- 1 Light [Post 2015]



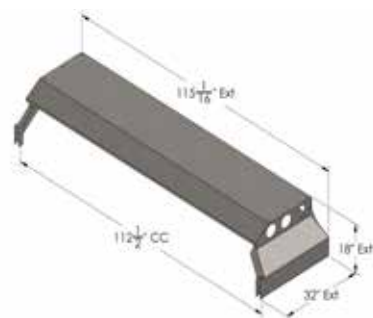
15560-2L

Beck 3 Pc RH Fender Assembly- 2 Lights [Post 2015]



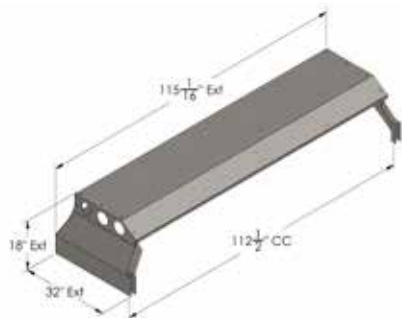
15660-2L

Beck 3 Pc LH Fender Assembly- 2 Lights [Post 2015]



15560-3L - Beck 3 Pc RH Fender Assembly- 3 Lights [Post 2015]

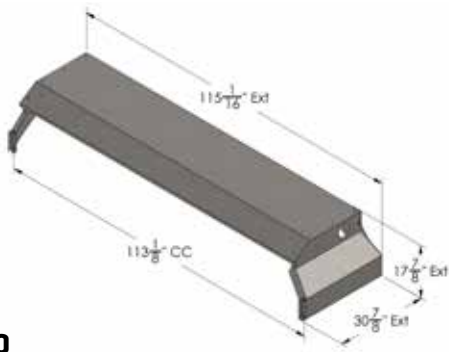
15560-A3L - Beck 3 Pc RH Aluminium Top Plate Fender Assembly- 3 Lights [Post 2015]



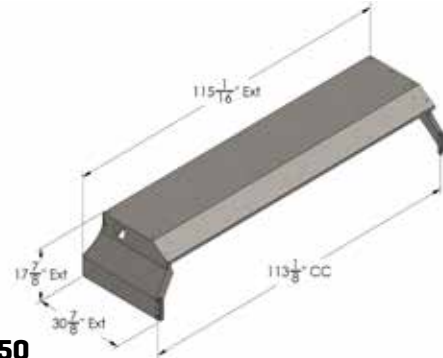
15660-3L - Beck 3 Pc LH Fender Assembly- 3 Lights [Post 2015]

15660-A3L - Beck 3 Pc LH Aluminium Top Plate Fender Assembly- 3 Lights [Post 2015]

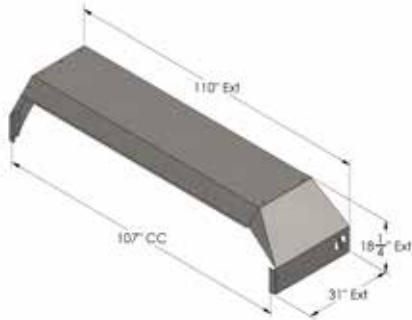
THREE PIECE FENDERS



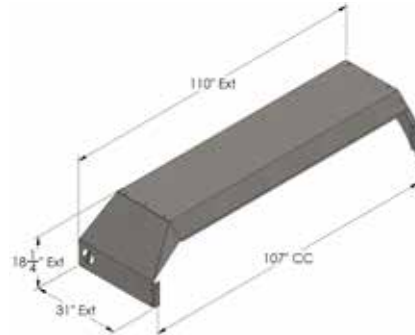
15300
MTM 3 Pc RH 107" Top Plate Fender Assembly



15350
MTM 3 Pc LH 107" Top Plate Fender Assembly

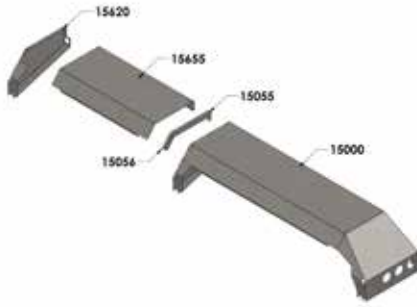


15995
CBMW 3 Pc RH Fender Assembly



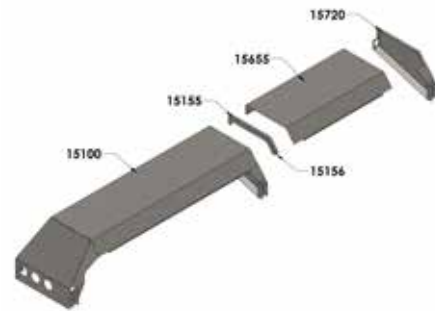
15990
CBMW 3 Pc LH Fender Assembly

FIVE PIECE FENDERS



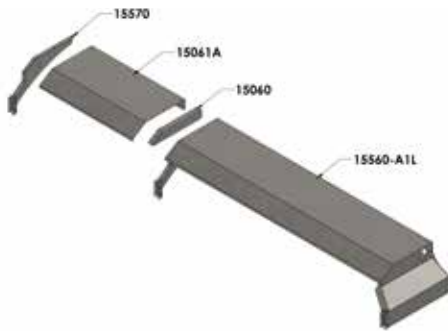
15050

Beck 5 Pc RH Fender with 55" Extension
[See pages 42-47 for custom component parts]



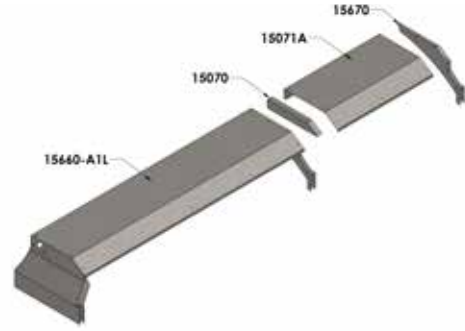
15150

Beck 5 Pc LH Fender with 55" Extension
[See pages 42-47 for custom component parts]



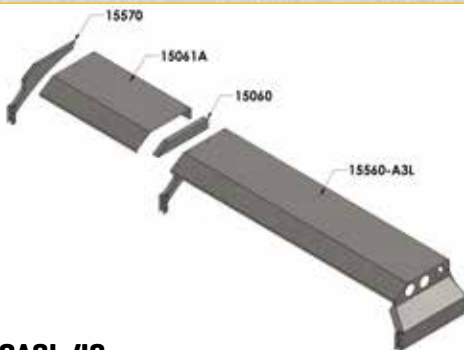
15060A1L-46

Beck 5 Pc RH Aluminum Top Plate Fender with 46.5" Extension- 1 Light
[See pages 42-47 for custom component parts]



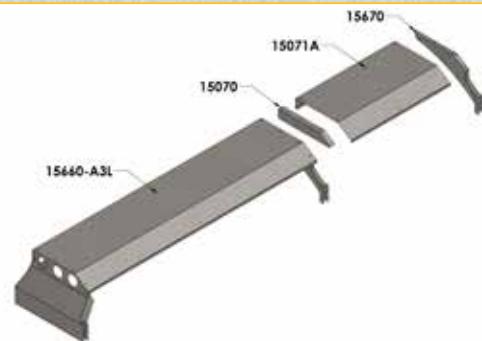
15160A1L-46

Beck 5 Pc LH Aluminum Top Plate Fender with 46.5" Extension- 1 Light
[See pages 42-47 for custom component parts]



15060A3L-46

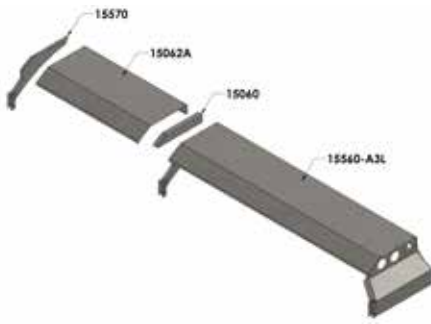
Beck 5 Pc RH Aluminum Top Plate Fender with 46.5" Extension- 3 Light
[See pages 42-47 for custom component parts]



15160A3L-46

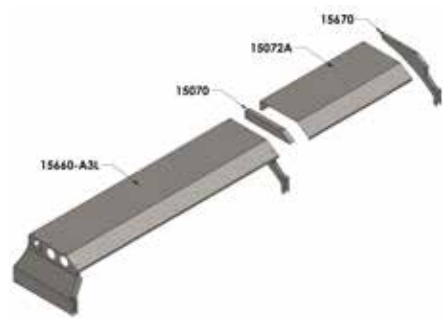
Beck 5 Pc LH Aluminum Top Plate Fender with 46.5" Extension- 3 Light
[See pages 42-47 for customer component parts]

FIVE PIECE FENDERS



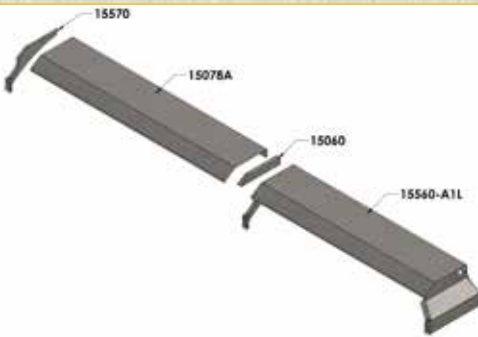
15060A3L-55

Beck 5 Pc RH Aluminum Top Plate Fender with 55" Extension- 3 Light
[See pages 42-47 for custom component parts]



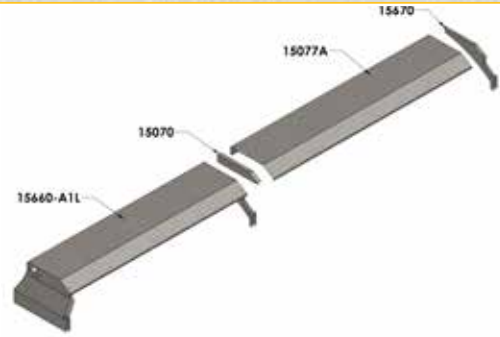
15160A3L-55

Beck 5 Pc LH Aluminum Top Plate Fender with 55" Extension- 3 Light
[See pages 42-47 for custom component parts]



15060A1L-120

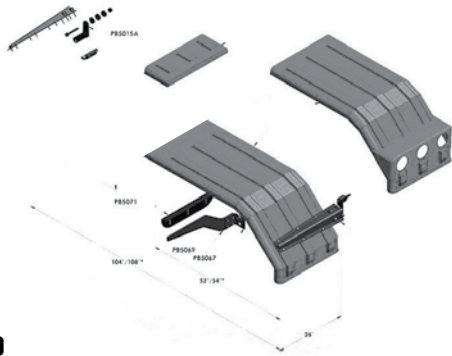
Beck 5 Pc RH Aluminum Top Plate Fender with 120" Extension- 1 Light
[See pages 42-47 for custom component parts]



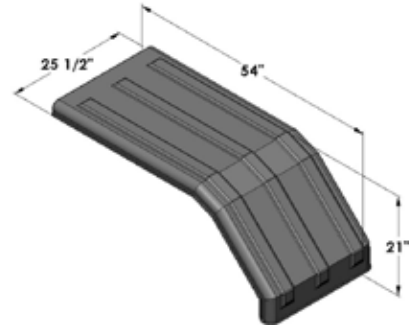
15160A1L-120

Beck 5 Pc LH Aluminum Top Plate Fender with 120" Extension- 1 Light
[See pages 42-47 for custom component parts]

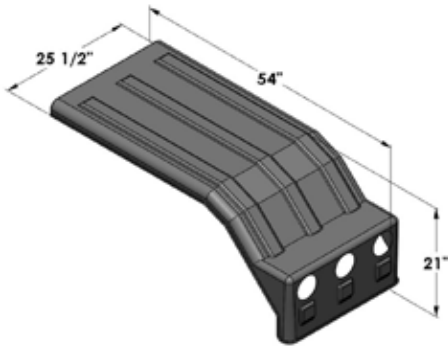
PLASTIC FENDERS



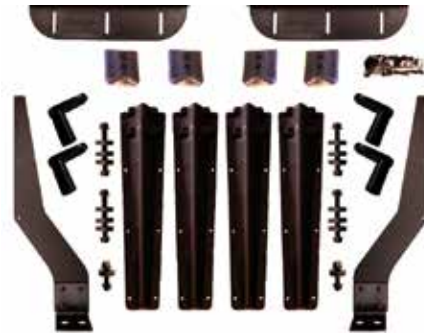
15420
Tandem Plastic Fender Kit RH or LH



15421
Plastic Fender Front Section



15422
Plastic Fender Rear Section



15430
Bracket Kit for Plastic Fenders RH & LH



15431
Swivel for Plastic Fender Bracket Assembly



15432
Taper Plastic Fender Bracket Assembly

PLASTIC FENDERS



15433
RH Center Plastic Fender Bracket Assembly



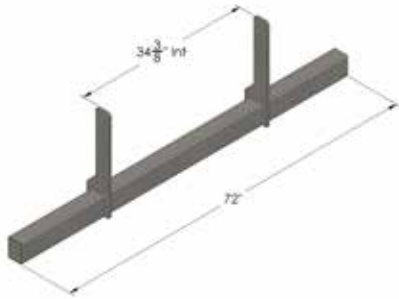
15434
LH Center Plastic Fender Bracket Assembly



15440
Mud Flap Bracket for Plastic Fenders



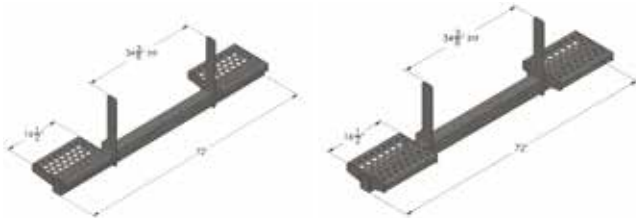
18501
Black Poly Mud Flap [24" x 24"]



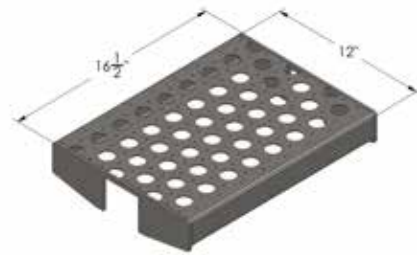
18000
Impact Guard [DOT Bumper]



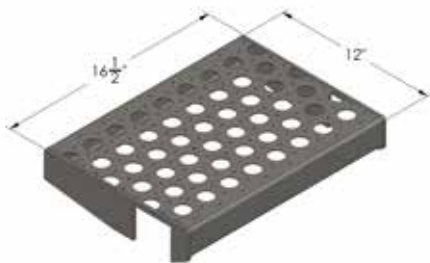
19200
Beck Texas Tow Loop



19210 - Impact Guard with Off-Set Work Platform
19216 - Impact Guard with Centered Work Platform



19220
Impact Guard Work Platform

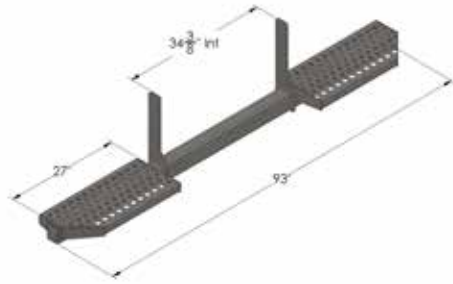


19225
Off-Set Impact Guard Work Platform

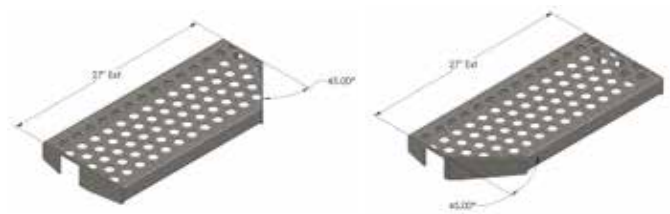


19230
Interstate Class Impact Guard

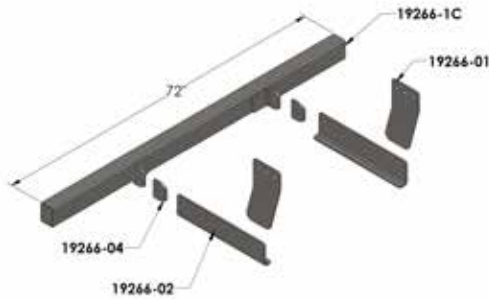
IMPACT GUARDS



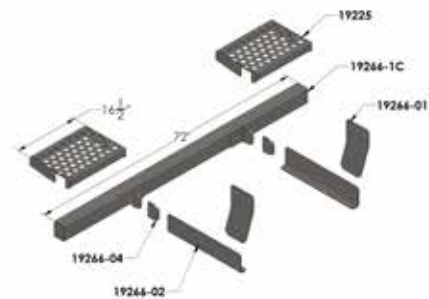
19240
Impact Guard with Off-Set 27" Work Platform



19241L - LH Off-Set Impact Guard Work Platform
19241R - RH Off-Set Impact Guard Work Platform



19266
Beck Interstate Class Bolted Impact Guard



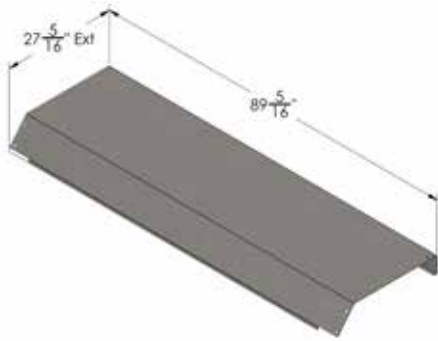
19246
Interstate Class Impact Guard with Off-Set 16" Work Platform



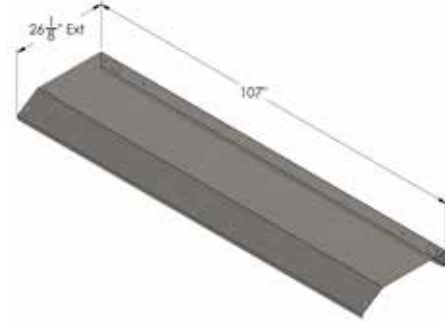
19213
Beck Tow Loop Plate for 19230



19230-2
Beck Tow Loop Mounting Angle for 19230



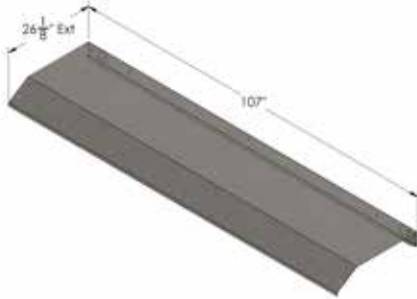
15010
Beck 89" Fender Top Section



15561
Beck 107" Fender Top Section

COMPATIBLE WITH

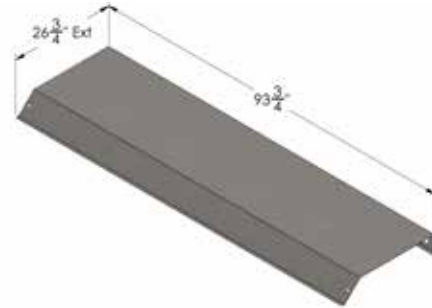
MTM
0152749



15307 - MTM Fender Top Section
15307A - MTM Aluminium Fender Top Section

COMPATIBLE WITH

MTM
0152749



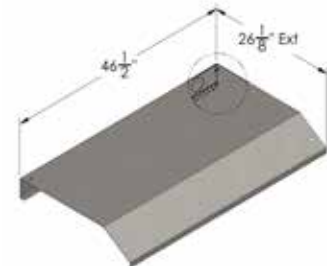
15921
CBMW Fender Top Section

COMPATIBLE WITH

MTM **CBMW**
1372878 **90648100**

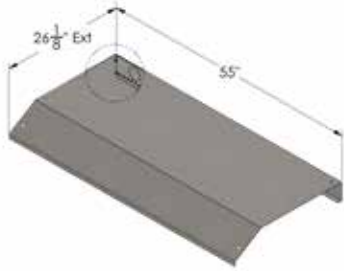


15061 - Beck 46.5" RH Fender Extension [Post 2015]
15061A - Beck 46.5" RH Aluminium Fender Extension [Post 2015]

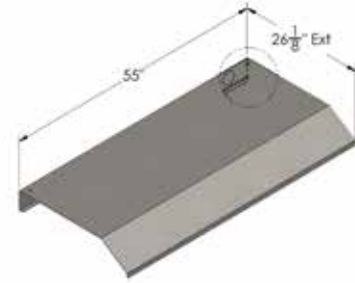


15071 - Beck 46.5" LH Fender Extension [Post 2015]
15071A - Beck 46.5" LH Aluminium Fender Extension [Post 2015]

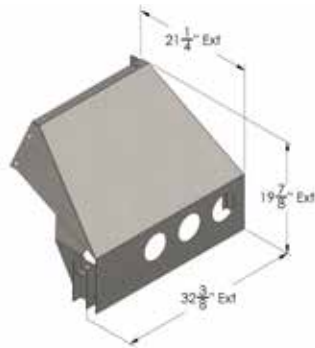
FENDER ACCESSORIES



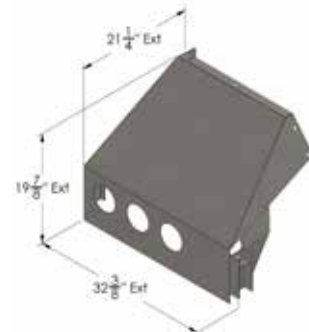
15062 - Beck 55" RH Fender Extension [Post 2015]
15062A - Beck 55" RH Aluminium Fender Extension [Post 2015]



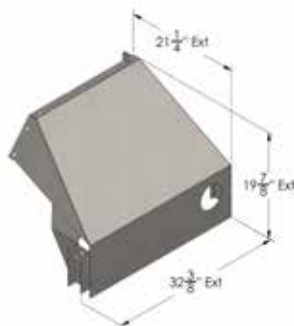
15072 - Beck 55" LH Fender Extension [Post 2015]
15072A - Beck 55" LH Aluminium Fender Extension [Post 2015]



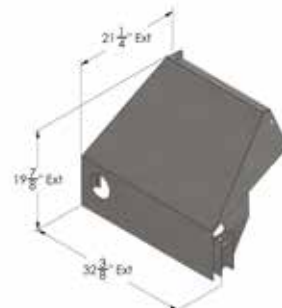
15610
 Beck RH Fender Rear Section [Pre 2015]



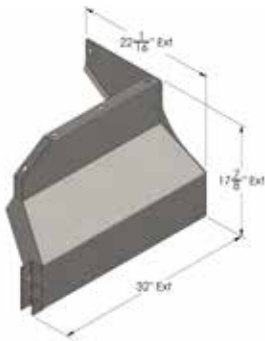
15710
 Beck LH Fender Rear Section [Pre 2015]



15610-1L
 Beck RH Fender Rear Section [Pre 2015]

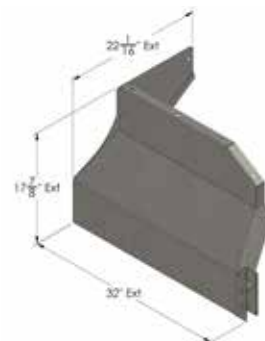


15710-1L
 Beck LH Fender Rear Section [Pre 2015]



15565-0L

Beck RH Rear Fender Support- 0 Light



15665-0L

Beck LH Rear Fender Support- 0 Light



15565-1L

Beck RH Rear Fender Support- 1 Light

COMPATIBLE WITH

**MTM
1485066**



15665-1L

Beck LH Rear Fender Support- 1 Light

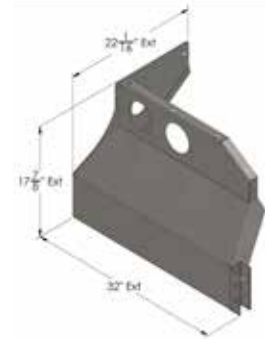
COMPATIBLE WITH

**MTM
1485081**



15565-2L

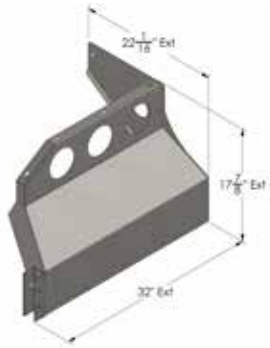
Beck RH Rear Fender Support- 2 Light



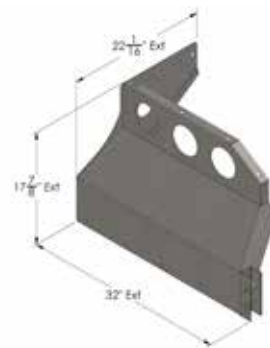
15665-2L

Beck LH Rear Fender Support- 2 Light

FENDER ACCESSORIES



15565-3L
Beck RH Rear Fender Support- 3 Light



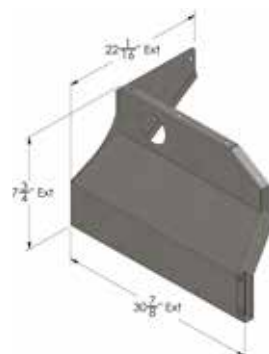
15665-3L
Beck LH Rear Fender Support- 3 Light



15315
MTM RH Rear Fender Support

COMPATIBLE WITH

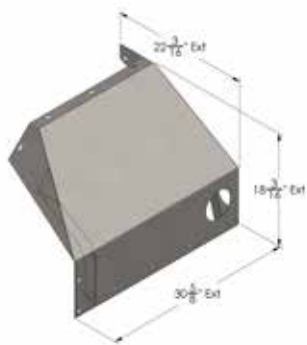
MTM	CBMW	CON-TECH
0152005	80640334	205002



15365
MTM LH Rear Fender Support

COMPATIBLE WITH

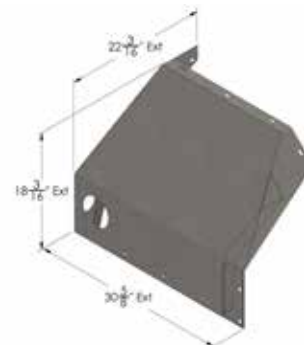
MTM	CBMW	CON-TECH
0152006	80640234	205003



15930
CBMW RH Rear Fender Support

COMPATIBLE WITH

MTM	CBMW
1373256	90648004



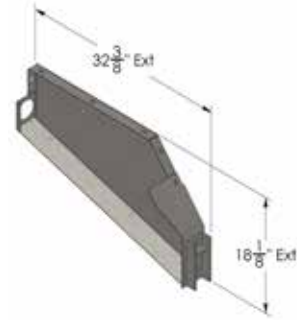
15920
CBMW LH Rear Fender Support

COMPATIBLE WITH

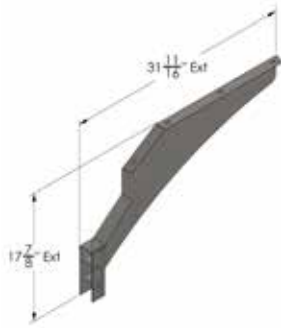
MTM	CBMW
1373255	90648003



15620
Beck RH Fender Front Section (Pre 2015)



15720
Beck LH Fender Front Section (Pre 2015)



15570
Beck RH Front Fender Support

COMPATIBLE WITH

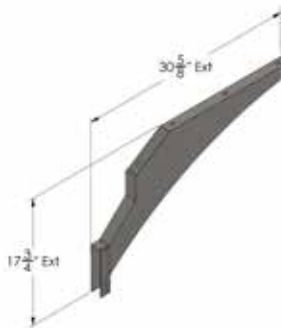
MTM
1545644



15670
Beck LH Front Fender Support

COMPATIBLE WITH

MTM
1545645

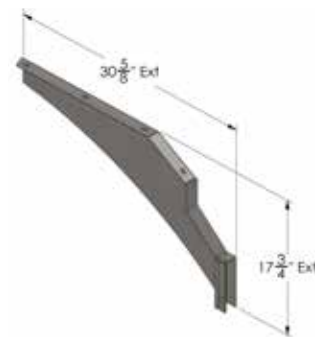


15310
MTM RH Front Fender Support

COMPATIBLE WITH

MTM
0152000

CON-TECH
205013



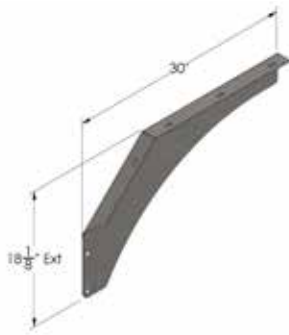
15360
MTM LH Front Fender Support

COMPATIBLE WITH

MTM
0152001

CON-TECH
205014

FENDER ACCESSORIES



15932
CBMW RH Front Fender Support

COMPATIBLE WITH

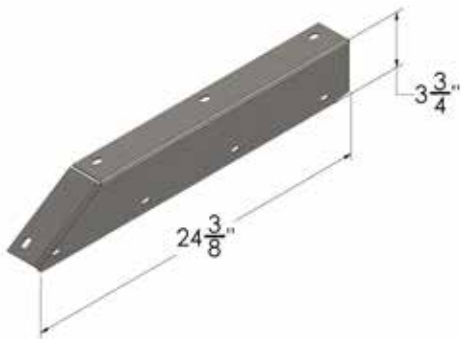
MTM	CBMW
1373356	90648006



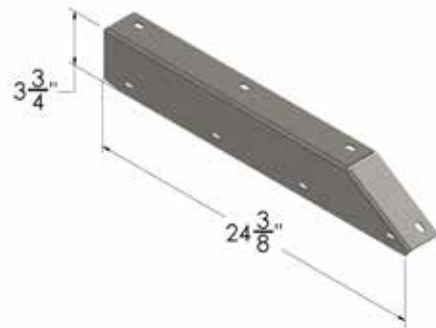
15922
CBMW LH Front Fender Support

COMPATIBLE WITH

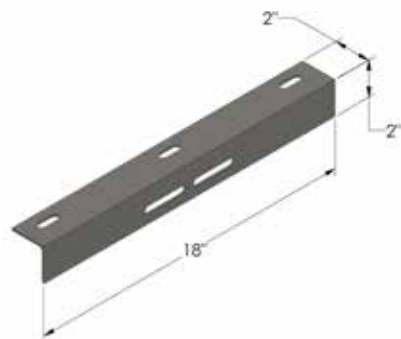
MTM	CBMW
1373355	90648005



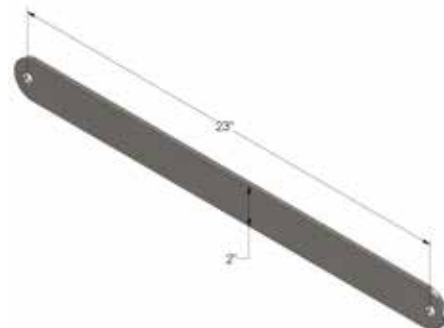
15060
Beck RH Fender Extension Bracket (Post 2015)



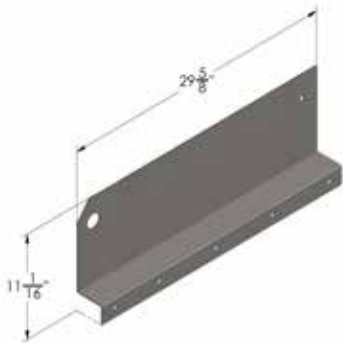
15070
Beck LH Fender Extension Bracket (Post 2015)



15807
Beck Fender Center Support Angle (Post 2015)

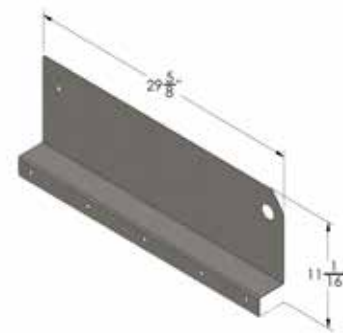


15804
Beck Fender Support Brace



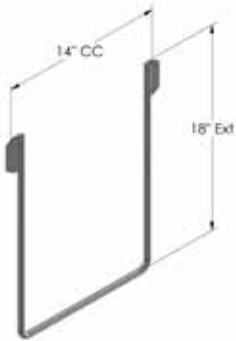
15406

Beck RH Brake Light Cover Plate for use with 15650 [See page 32]



15410

Beck LH Brake Light Cover Plate for use with 15750 [See page 32]



15508

Beck 2015 Mud Flap Support Bracket



15805

Beck Mud Flap Support Bar



15440

Mud Flap Bracket for Plastic Fenders



15571

Beck Universal Fender Mud Flap Bar

FENDER ACCESSORIES



FENDER ACCESSORIES



92003LED
Red LED Marker Light 2-1/2"

COMPATIBLE WITH

MTM 3043395
CON-TECH 715023



92004LED
Yellow LED Marker Light 2-1/2"

COMPATIBLE WITH

CON-TECH 715024



92540LED
Red LED Light 4"

COMPATIBLE WITH

CON-TECH 715022



92541LED
Backup Clear LED 4"

COMPATIBLE WITH

CON-TECH 715026



92516LED
LED Work Light



92542
4" Closed Back Grommet



92545
2-1/2" Closed Back Grommet

COMPATIBLE WITH

MTM 1240516
CON-TECH 715001



92546
LED License Lamp

COMPATIBLE WITH

MTM 1577540
CON-TECH 715019



92008 - Back-Up Alarm [Beeping]
92539 - Broadband Back-Up White Noise Alarm



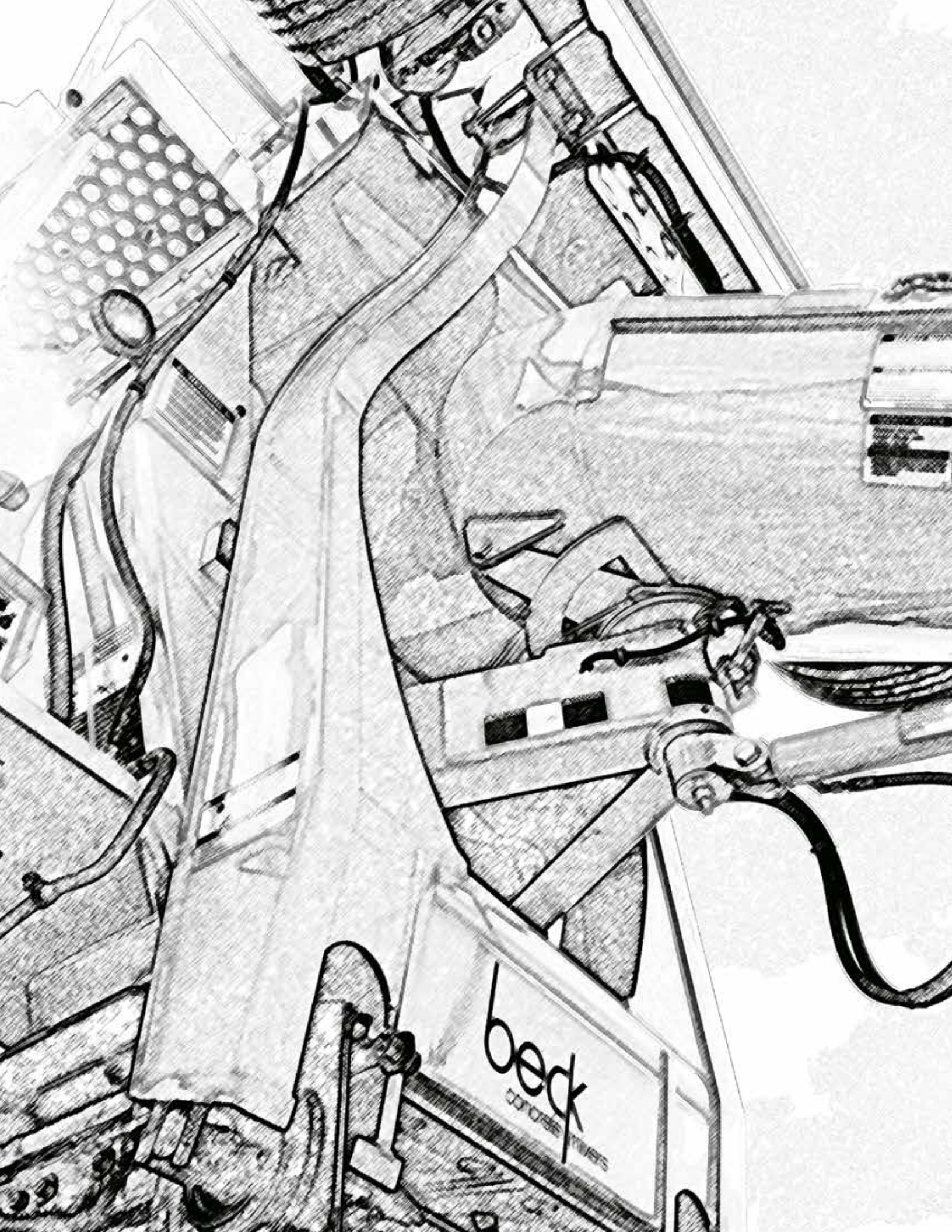
18501
Black Poly Mud Flap [24" x 24"]



1ERSS06HD
SS/Rubber Fender Washer

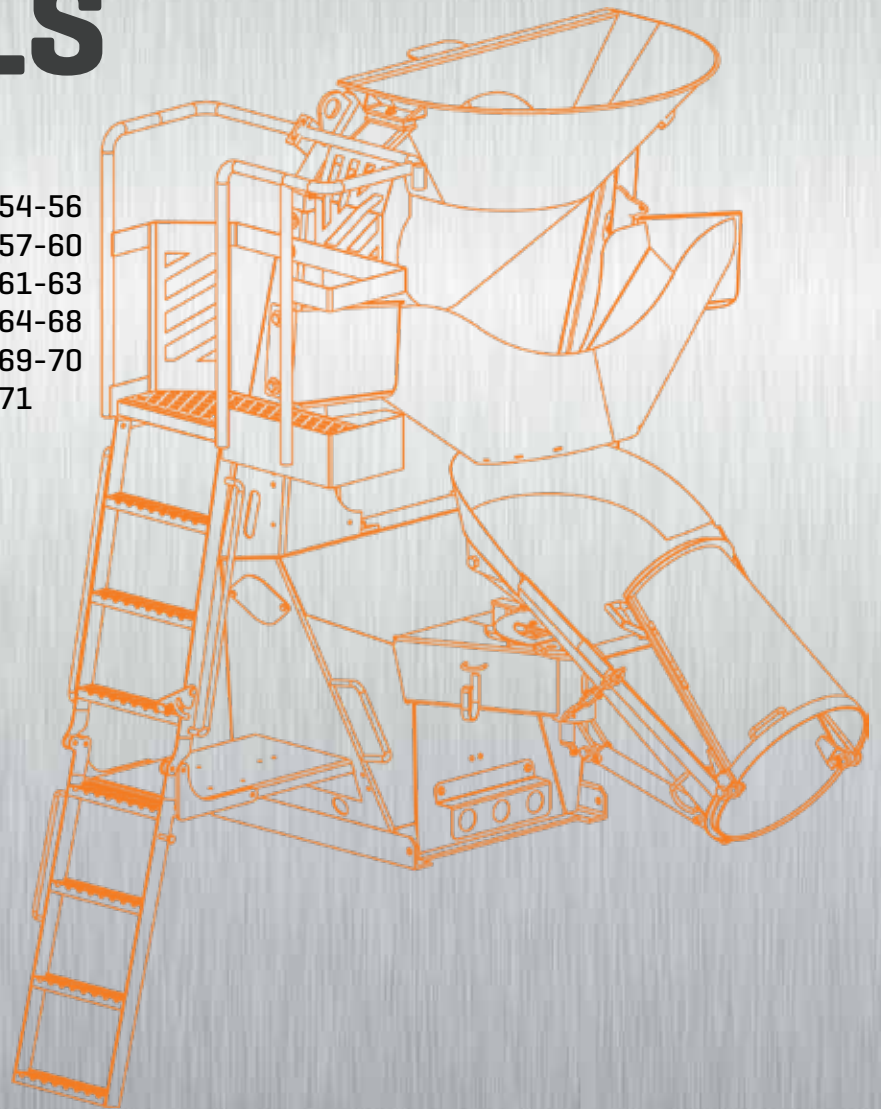
COMPATIBLE WITH

MTM 1164652



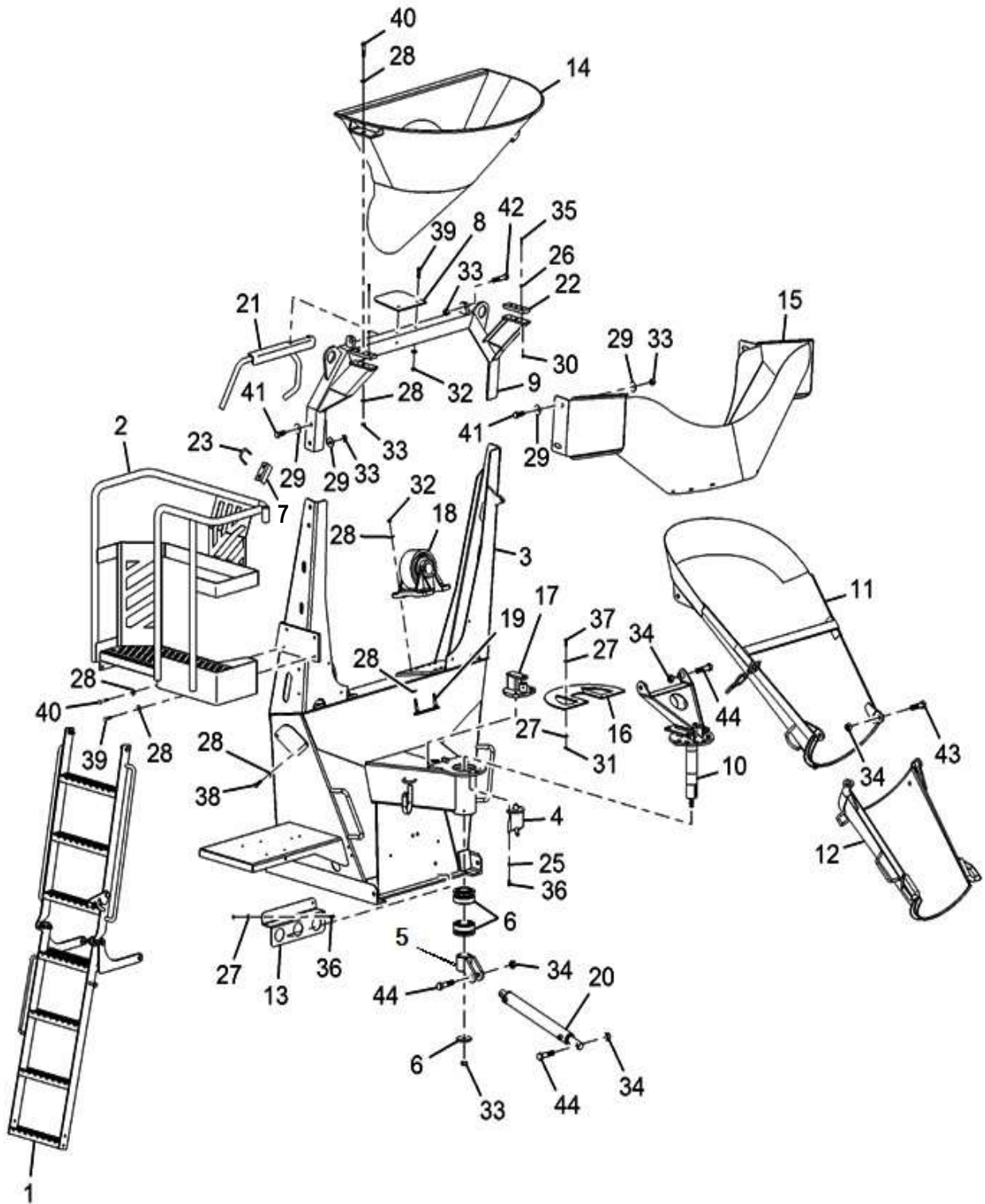
PEDESTALS

Rear Pedestal and Accessories	54-56
Pivot Assemblies	57-60
Chute Locks	61-63
Ladders and Platforms	64-68
Rollers	69-70
Front Pedestals	71



beckindustrial.com/store
877-777-BECK

REAR PEDESTAL & ACCESSORIES



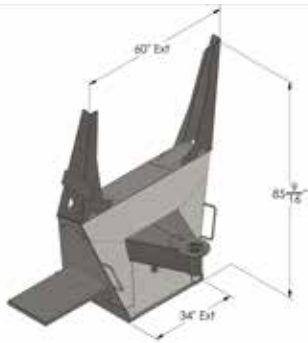
REAR PEDESTAL & ACCESSORIES



12000DRP Beck Fully Dressed Rear Pedestal

Item	Part #	Description
1	10100	Beck Upper and Lower Ladder Assembly [Post 2007]
2	10400	Beck Ladder Platform [Post 2007]
3	12000	Beck Rear Pedestal [Bare]
4	12034	Manual Chute Lock
5	12100	Beck Pivot Clevis
6	12600	Beck/MTM/CBMW Pivot Bearing Kit
7	13015	U-Bolt Bracket
8	13018	Beck Standard Drum Stop [Bounce Restrictor]
9	13150	Beck Drum Hoop [Post 2013]
10	14000	Beck/MTM Pivot Arm
11	40300	Beck Main Chute [Post 2012]
12	41000	Beck/MTM Standard Transitional Fold-Over
13	43012	Beck Lower Light Plate [Rear Pedestal]
14	43150	Beck Charge Hopper [Post 2013]
[15	44125	Beck Standard Collection Hopper [Post 2012]
15]	44150	Beck/MTM Paver Collection Hopper [Post 2012]
16	47010	Beck/MTM Chute Lock Clamp Plate
17	47500	Beck Chute Lock Assembly
18	50000	Beck/MTM 8" Roller
19	54100	Beck/MTM Roller Strap Bolt
20	67010	Beck 2-1/2" Universal Cylinder - Double or Single Acting
21	79050	Beck Water Injection Pipe [Post 2012]
22	92F4	Beck Charge Hopper Pad
23	2H06	3/8" U-Bolt Kit
24	36H-25	1/8" Grease Fitting
25	2E06	3/8" Washer
26	1E04	1/4" Washer
27	1E06	3/8" Flat Washer
28	1E08	1/2" Flat Washer
29	1E12.	3/4" Flat Washer
30	17D1	1/4"-20 Toplock Nut
31	17D3	3/8"-16 Toplock Nut
32	17D6	1/2"-13 Toplock Nut
33	17D10	3/4"-10 Toplock Nut
34	17D11	7/8"-9 Toplock Nut
35	1C416	1/4"-20 x 1" Bolt
36	1C616	3/8"-16 x 1" Bolt
37	1C620	3/8"-16 x 1-1/4" Bolt
38	1C824	1/2"-13 x 1-1/2" Bolt
39	1C828	1/2"-13 x 1-3/4" Bolt
40	1C840	1/2"-13 x 2-1/2" Bolt
41	1C1232	3/4"-10 x 2" Bolt
42	1C1264	3/4"-10 x 4" Bolt
43	1C1456	7/8"-9 x 3-1/2" Bolt
44	1C1465	7/8"-9 x 4" Bolt

REAR PEDESTAL & ACCESSORIES



12000
Beck Rear Pedestal [Bare]



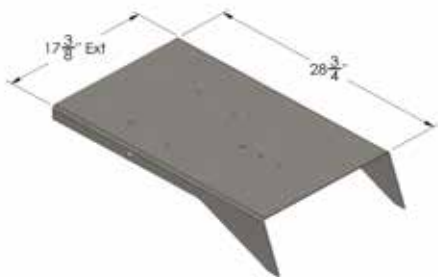
12000DRP
Beck Fully Dressed Rear Pedestal
[Customizable to Standard or Paver] Includes:
Assembled Hoppers, Main & Fold-Over Chutes, Ladder &
Platform Assemblies, Rollers, Drum Hoop, Beck 2-1/2"
Universal Cylinder- Double or Single Acting



12001
Beck RH Rear Pedestal Upright Leg



12002
Beck LH Rear Pedestal Upright Leg



12003
Beck Lower Ladder Platform for Conventional Mixers



13000
Beck Drum Hoop [Pre 2013]

REAR PEDESTAL & ACCESSORIES



13150
Beck Drum Hoop [Post 2013]



13018
Beck Standard Drum Stop [Bounce Restrictor]



13019
Beck Paver Drum Stop "Z" Style [Bounce Restrictor]



79000
Beck Water Injection Pipe [Pre 2012]



79050
Beck Water Injection Pipe [Post 2012]



79320
MTM Water Injection Pipe

COMPATIBLE WITH

MTM
153525

REAR PEDESTAL & ACCESSORIES



79400

CBMW Water Injection Pipe [Short]

COMPATIBLE WITH

**CBMW
90105416**

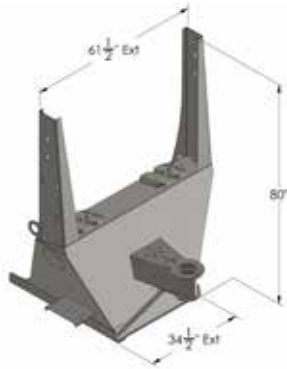


79401

CBMW Water Injection Pipe [Long]

COMPATIBLE WITH

**CBMW
90105415**

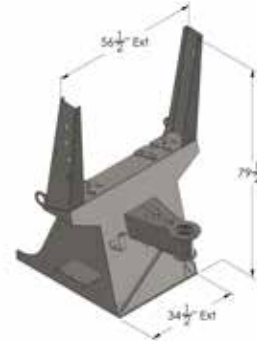


12900

CBMW Low Profile Paver Rear Pedestal

COMPATIBLE WITH

**CBMW
90612605**

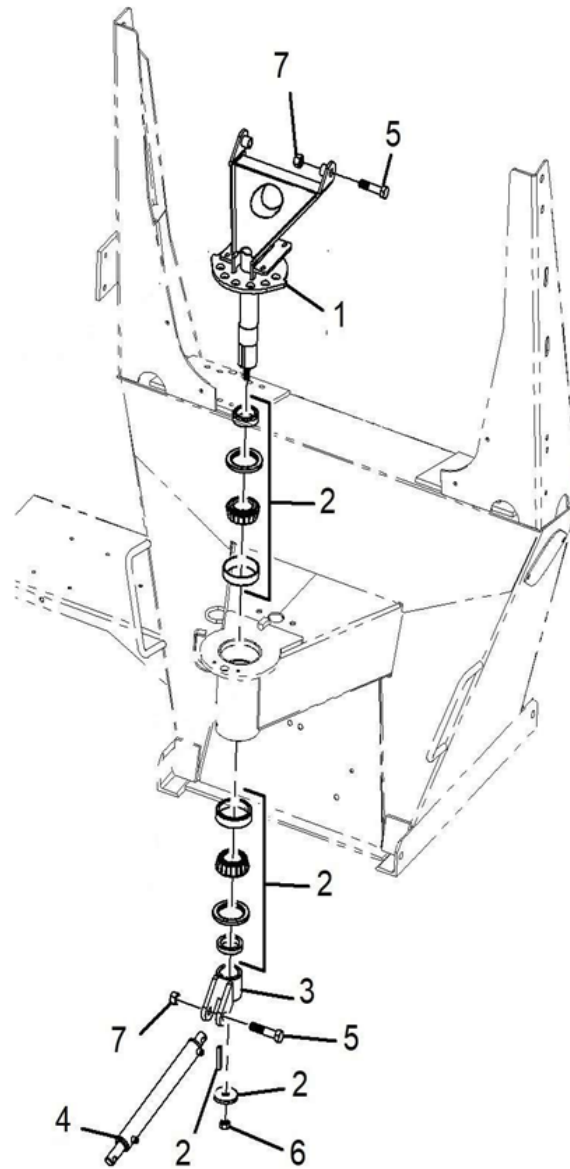


12950

CBMW Standard Rear Pedestal

COMPATIBLE WITH

**CBMW
90612200**



Beck Pivot Assembly

Item	Part #	MTM	CBMW	CTM	Description
1	14000	0152635			Beck/MTM Pivot Arm
2	12600		80572100		Beck/MTM/CBMW Pivot Bearing Kit
3	12100				Beck Pivot Clevis
4	67010	0107596	80253733	750001	Beck 2-1/2" Universal Cylinder - Double or Single Acting
5	1C1465				7/8"-9 x 4" Bolt
6	17D10				3/4"-10 Toplock Nut
7	17D11				7/8"-9 Toplock Nut

PIVOT ASSEMBLIES



14000
Beck/MTM Pivot Arm

COMPATIBLE WITH

MTM
0152635



14250
CBMW Pivot Arm

COMPATIBLE WITH

CBMW
90570220



12600
Beck/MTM/CBMW Pivot Bearing Kit

COMPATIBLE WITH

CBMW
80572100



12031
Pivot Bearing Cup (Race)

COMPATIBLE WITH

MTM **CBMW** **CON-TECH**
0183112 **80572118** **720006**



12032
1" Pivot Bearing Spacer

COMPATIBLE WITH

MTM **CBMW** **CON-TECH**
0152294 **70570128** **215116**



12033
3/4" Pivot Bearing Spacer

PIVOT ASSEMBLIES



12035
Pivot Bearing Cone

COMPATIBLE WITH

MTM	CBMW	CON-TECH
0183111	80572117	720005



12036
Pivot Bearing Seal

COMPATIBLE WITH

MTM	CBMW	CON-TECH
0215252	80572116	725014



12037
Pivot Bearing Key

COMPATIBLE WITH

MTM	CBMW	CON-TECH
1138134	10570001	215261



12045
Pivot Bearing Washer

COMPATIBLE WITH

MTM	CBMW	CON-TECH
0082279	80570122	215110



12100
Beck Pivot Clevis



12115
MTM Pivot Clevis

COMPATIBLE WITH

MTM	CON-TECH
0152641	770004



67010
Beck 2-1/2" Universal Cylinder- Double or Single Acting

COMPATIBLE WITH

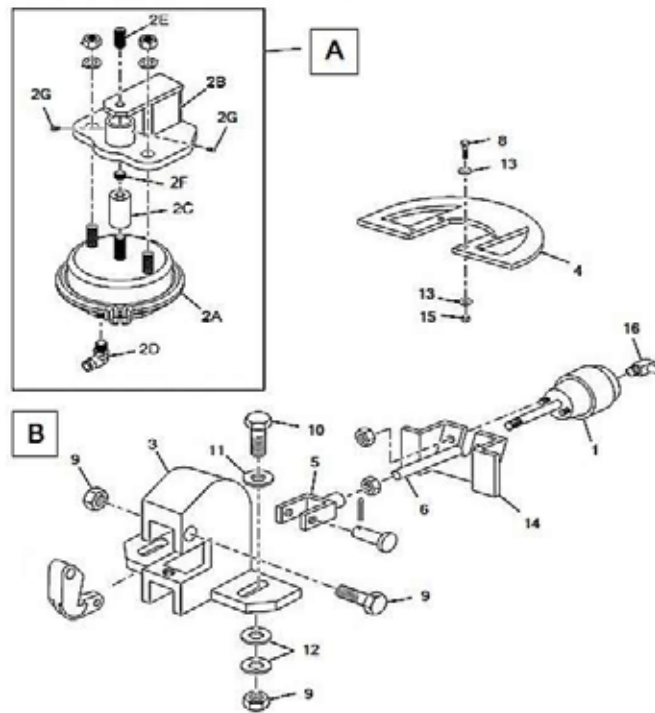
MTM	CBMW	CON-TECH
0107596	80256733	750001



12034
Manual Chute Lock

COMPATIBLE WITH

MTM	CBMW	CON-TECH
0000259	80570010	600415



Beck Chute Lock Assembly (A)

Item	Part #	Description
2	47500	Beck Chute Lock Assembly
2A	47510	Beck T-24 Air Chamber for Chute Lock
2B	47501	Beck Chute Lock Base
2C	47511	Beck Chute Lock Stainless Steel Bushing
2D	70009	Airline Swivel Elbow 3/8" x 1/2" 90°
2E	1C1024SS	Beck Chute Lock Set Screw 5/8" x 1/2"
2F	1C1008SS	Beck Chute Lock Set Screw 5/8" x 1-1/2"
2G	36H-25	Beck Chute Lock Grease Fitting 1/8"

MTM Chute Lock Assembly (B)

Item	Part #	Description
1	47070	MTM T-16 Air Chamber for Chute Lock
3	47350	MTM Chute Lock Assembly
4	47010	Beck/MTM Chute Lock Clamp Plate
4	47212	CBMW Chute Lock Clamp Plate
5	47071	1/2" Brake Yoke
6	47011	1/2" x 9" Pipe Sleeve
7	1C624	3/8" -16 x 1-1/2" Bolt
8	1C0864	1/2" -13 x 4" Bolt
9	17D6	1/2" -13 Toplock Nut
10	1C832	1/2" -13 x 2" Bolt
11	1E08	1/2" Flat Washer
12	1E12	3/4" Flat Washer
13	1E06	3/8" Washer
14	47060	Air Chamber Bracket
15	17D3	3/8" -16 Toplock Nut
16	47041	Airline Swivel Elbow 3/8" x 1/4" 90°



47500
Beck Chute Lock Assembly



47501
Beck Chute Lock Base



47511
Beck Chute Lock Stainless Steel Bushing



1C1008SS
Beck Chute Lock Set Screw 5/8" x 1/2"



1C1024SS
Beck Chute Lock Set Screw 5/8" x 1-1/2"



36H-25
Beck Chute Lock Grease Fitting 1/8"



70009
Beck Chute Lock Airline Swivel Elbow 3/8" x 1/2"



47350
MTM Chute Lock Assembly

COMPATIBLE WITH

MTM
151310

CON-TECH
600205



47071
1/2" Brake Yoke



47041
Airline Swivel Elbow NPT 90° Fitting 3/8" x 1/4"



47510
Beck T-24 Air Chamber for Chute Lock



47070
MTM T-16 Air Chamber for Chute Lock

COMPATIBLE WITH

MTM
0183122

CON-TECH
785001

CHUTE LOCKS



47008
CBMW T-16 Air Chamber for Chute Lock

COMPATIBLE WITH

CBMW
90570019



47010
Beck/MTM Chute Lock Clamp Plate

COMPATIBLE WITH

MTM **CON-TECH**
0151277 **215103**



47211
CBMW Chute Lock Bushing

COMPATIBLE WITH

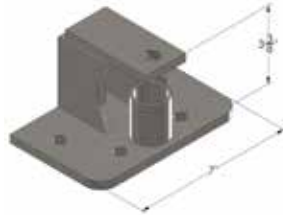
CBMW
90240003



47212
CBMW Chute Lock Clamp Plate

COMPATIBLE WITH

CBMW
90570021



47214
CBMW Chute Lock Housing

COMPATIBLE WITH

CBMW
90570011



12034
Manual Chute Lock

COMPATIBLE WITH

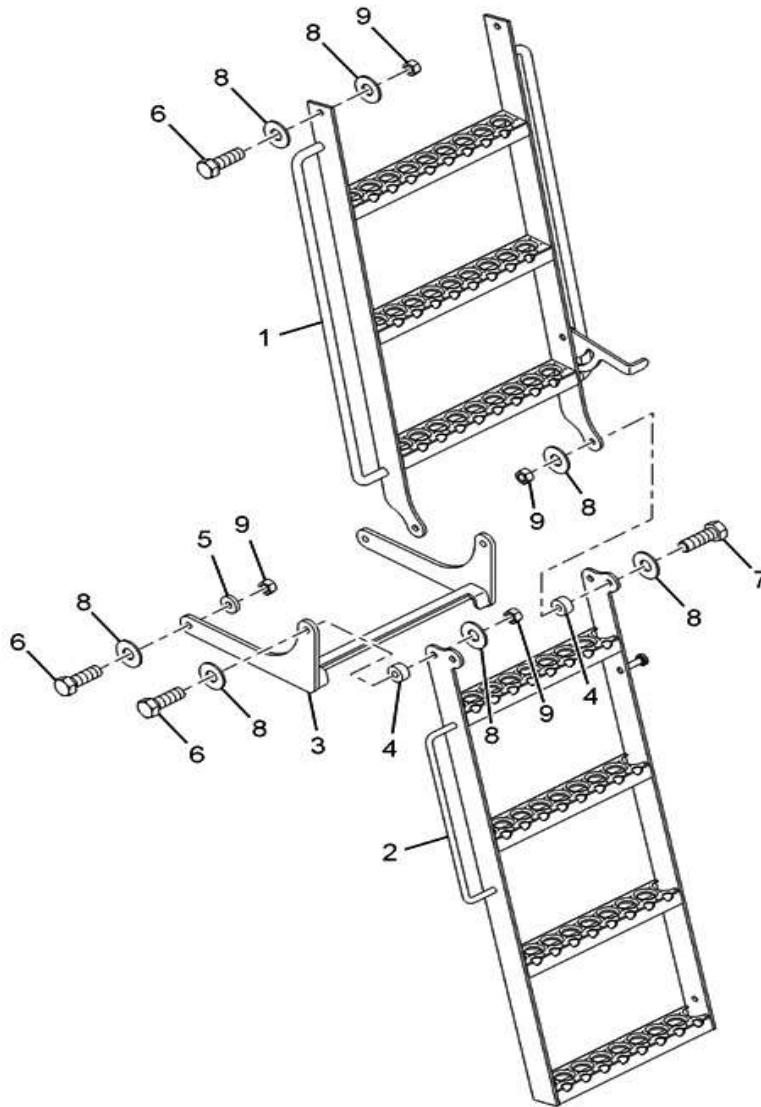
MTM **CBMW** **CON-TECH**
0000259 **80570010** **600415**



47012
Diaphragm for T-16 Air Chamber



47513
Diaphragm for T-24 Air Chamber



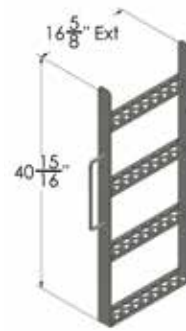
Beck Ladder Assembly (2007 & Later)

Item	Part #	Description
	10100	Beck Upper and Lower Ladder Assembly (Post 2007)
1	10110	Beck Upper Ladder Section (Post 2007)
2	10120	Beck Ladder Lower Section (Post 2007)
3	10125	Beck Ladder Stop Bar [Attaches to 12003]
4	10132	Nylon Spacer, 5/8" Thickness
5	10133	Nylon Spacer, 5/16" Thickness
6	1C828	1/2"-13 x 1-3/4" Bolt
7	1C841	1/2"-13 x 2-1/2" Bolt
8	1E08	1/2" Flat Washer
9	17D6	1/2"-13 Toplock Nut

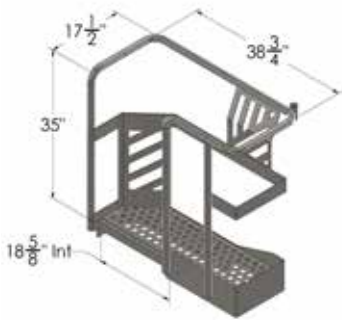
LADDERS AND PLATFORMS



10010
Beck Upper Ladder (Pre 2007)



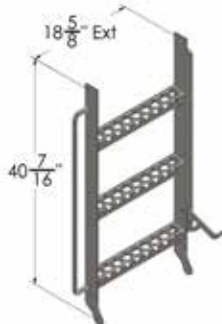
10020
Beck Lower Ladder (Pre 2007)



10400
Beck Ladder Platform (Post 2007)



10100
Beck Upper and Lower Ladder Assembly (Post 2007)

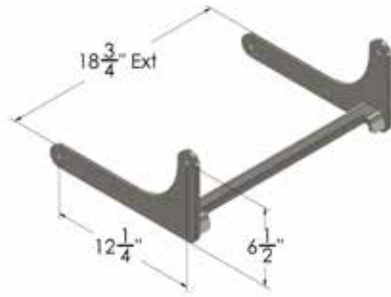


10110
Beck Upper Ladder Section (Post 2007)

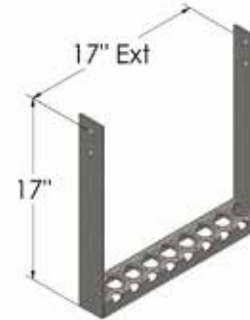


10120
Beck Lower Ladder Section (Post 2007)

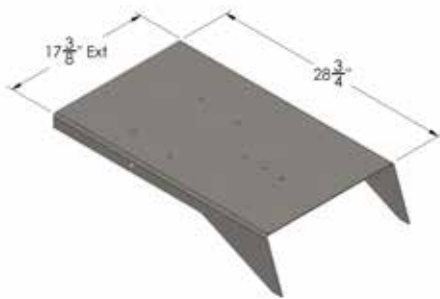
LADDERS AND PLATFORMS



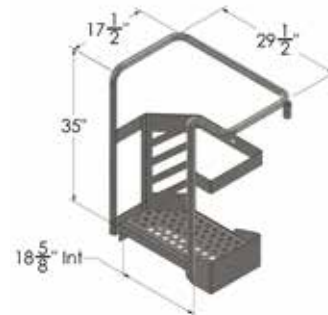
10125
Beck Ladder Stop Bar [Attaches to 12003]



10126
Beck 18" Ladder Extension



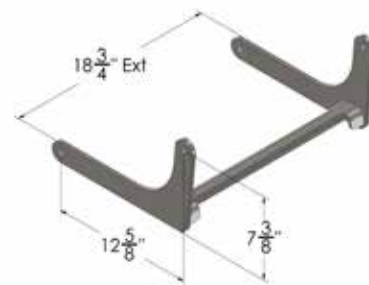
12003
Beck Lower Ladder Platform for Conventional Mixers



10350B
Beck Interstate Class Upper Platform [Bridge Mixers]



10100B
Beck Interstate Class Ladder Stop Bar [Attaches to 12050B9; See page 68]



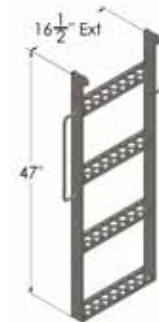
10130B
Beck Interstate Class Ladder Stop Bar [Attaches to 12050B9]

LADDERS AND PLATFORMS



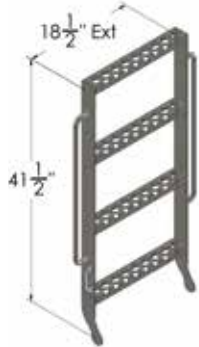
10150B

Beck Interstate Class Ladder Top Section (Bridge Mixers)



10160B

Beck Interstate Class Ladder Lower Section (Bridge Mixers)



10210

MTM Upper Ladder Section



10220

MTM Lower Ladder Section

COMPATIBLE WITH

MTM
1270131

CTM
215035

COMPATIBLE WITH

MTM
1270132

CBMW
80602504

CONTECH
215017



10610

CBMW Upper Ladder Section



10620

CBMW Lower Ladder Section

COMPATIBLE WITH

MTM
1329715

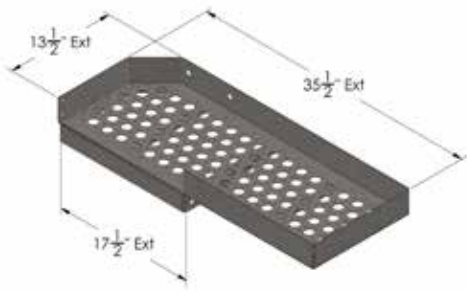
CBMW
90602411

COMPATIBLE WITH

MTM
1329716

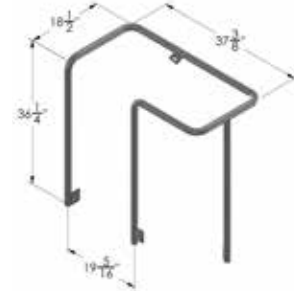
CBMW
90602412

LADDERS AND PLATFORMS



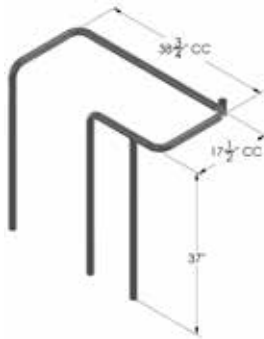
10650
CBMW Upper Platform

COMPATIBLE WITH
CBMW
90602603

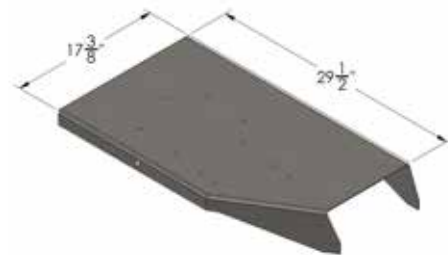


10635
CBMW Standard Handrail

COMPATIBLE WITH
CBMW
90602605



10360
Beck Hand Rail for Conventional Mixers

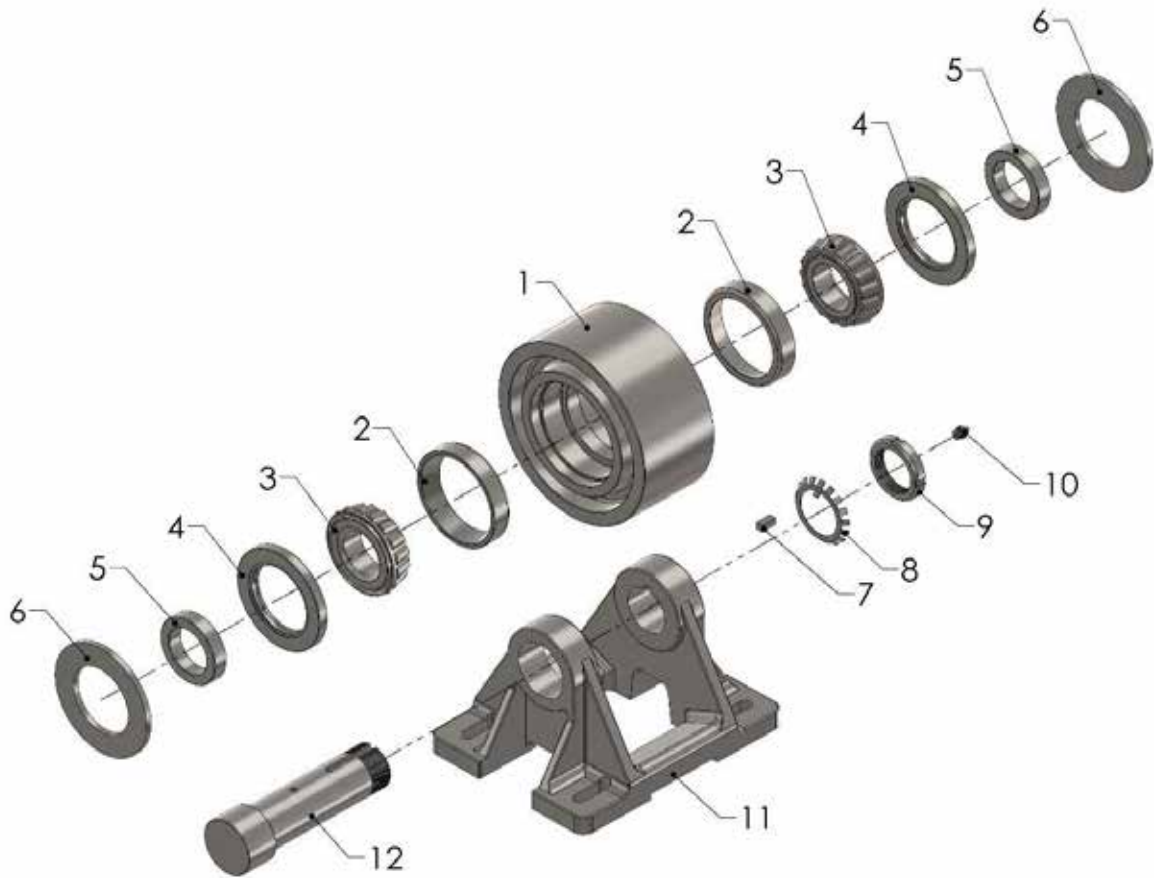


12050B9
Beck Interstate Class Lower Ladder Platform



10425
Safety Platform Gate

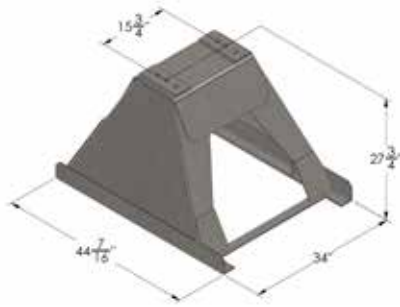
COMPATIBLE WITH
MTM **CON-TECH**
1421570 **799810**



Beck/MTM 8" Roller Assembly

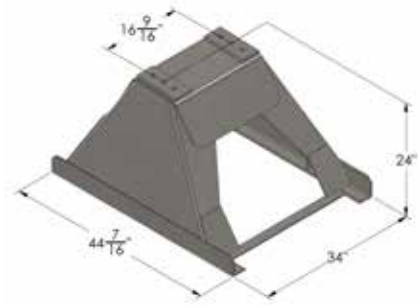
Item	Part #	Description
1	50012	Roller Wheel
2	50002	Race
3	50001	Bearing
4	50004	Seal
5	50008	Spacer
6	50003	Felt Washer
7	50007	Square Key
8	50006	Locking Ring
9	50005	Bearing Lock Nut
10	36H-25	1/8" Grease Fitting
11	50009	Roller Bracket
12	50011	Roller Axle Shaft

FRONT PEDESTALS



11000

Beck/MTM Front Pedestal for ZF P7300 and PK7500 Gearboxes



11000C

Beck Front Pedestal for ZF CML 10 & 12 Gearboxes

FRONT PEDESTALS

HOUSTON (281) 881-1104 · GEORGIA (336) 264-3308 · PANAMA (507) 229-3128 · MEXICO +52(778) 735-9750

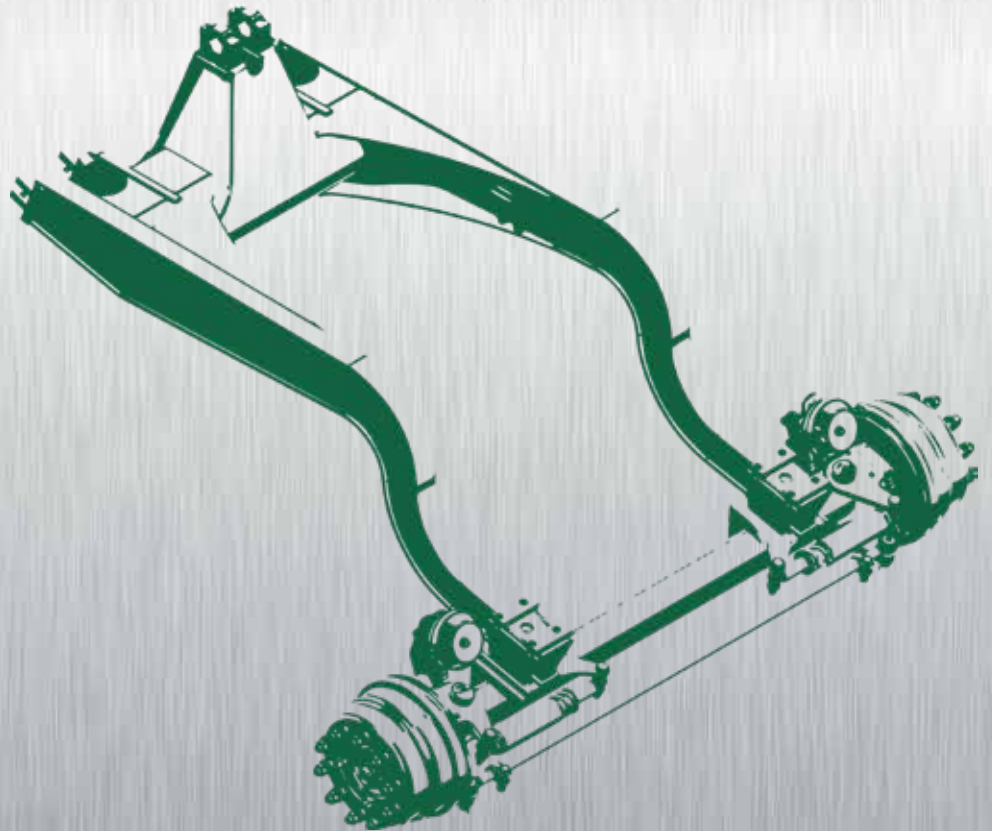


beck
concrete mixers

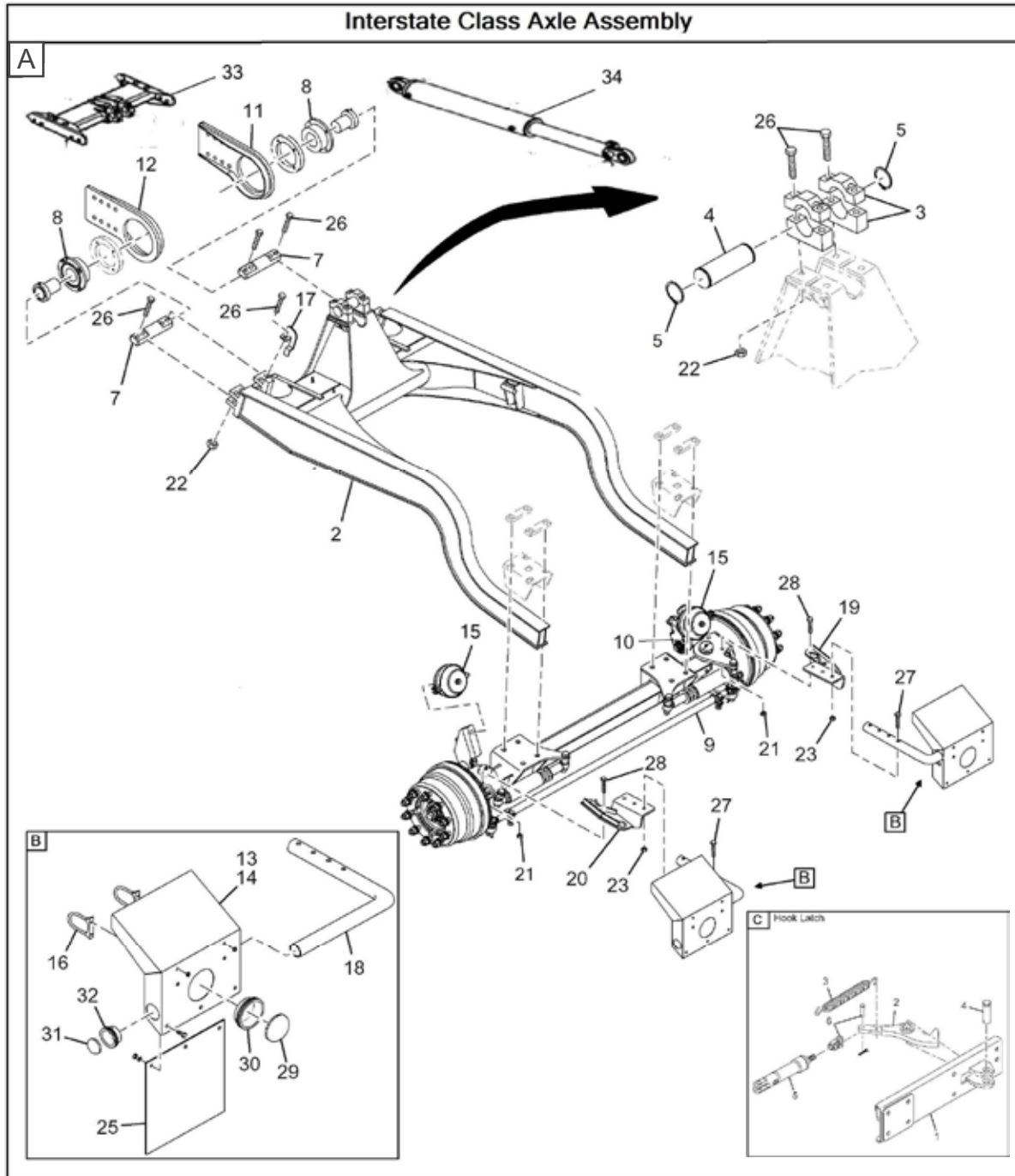
beck
concrete mixers

INTERSTATE CLASS / BRIDGE AXLE

Parts and Accessories 74-80



beckindustrial.com/store
877-777-BECK



Beck Interstate Class Axle Assembly

Item	Part #	Description
A		
	12300	Beck Interstate Class Trailer Assembly with Axle
2	12301	Beck Interstate Class Trailer without Axle
3	12357	Beck Trailer Axle Cylinder Mount Block Set
4	12358	Beck Trailer Axle Cylinder Mount Pin [Post 2015]
5	12361	Beck Trailer Axle 2-1/4" Snap Ring
7	12366	Beck Trailer Axle 2-1/2" Axle Pin
8	12110	Beck Interstate Class 2-1/2" Flange Mount Bearing for Axle [12375 & 12376]
9	12378	Beck Interstate Class Axle Tie Rod Assembly
10	12370	Hendrickson Interstate Class Axle [13,000lb. Rating]
11	12375	RH Bearing Housing Plate [Post 2014]
12	12376	LH Bearing Housing Plate [Post 2014]
15	12377	Type 20 Brake Chamber for Interstate Class Axle
17	36377	Beck Trailer in Motion Bracket for Acuator
19	15381	Beck RH Trailer Axle Fender Support Bracket
20	15382	Beck RH Trailer Axle Fender Support Bracket
21	17DF10FT	5/8"-18 Toplock Nut
22	17D10FT	3/4"-16 Toplock Nut
23	17DF08FT	1/2"-20 Toplock Nut
26	1C1280FT	3/4"-16 x 5" Bolt
27	1CF0856FT	1/2"-20 x 3-1/2" Bolt
28	1CF1032FT	5/8"-18 X 2-1/2" Bolt
33	12303	Beck Trailer Axle Cylinder Crossmember
34	67330	Interstate Class Bridge Cylinder with Gauge

Interstate Class Fenders

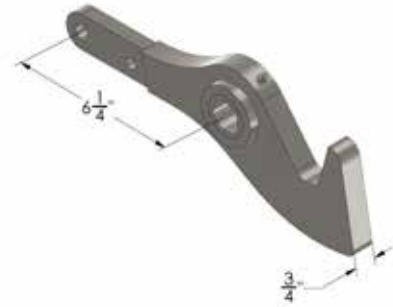
Item	Part #	Description
B		
13	15372	Beck RH Trailer Fender
14	15370	Beck LH Trailer Fender
16	15374	Trailer Fender Mounting U-Bolt 1-7/8"
18	15383	Beck Trailer Axle Fender Support "L" Bracket
25	18505	Beck Interstate Class Trailer Mud Flap [13 1/2" x 13 1/2"]
29	92540LED	Red LED Light 4"
30	92542	4" Closed Back Grommet
31	92003LED	Red LED Marker Light 2-1/2"
32	92545	2-1/2" Closed Back Grommet

Interstate Class Trailer Latch Assembly

Item	Part #	Description
C		
1	12066	Beck Trailer Axle Latch Mount Plate [Post 2016]
2	12067	Beck Trailer Axle Latch
3	12305	Beck Trailer Axle Latch Spring 8-1/4"
4	12308	Trailer Latch Pin 1" x 2-1/2"
5	67311	Beck Trailer Axle Latch Cylinder
6	67313	Beck Trailer Axle Cylinder Yoke



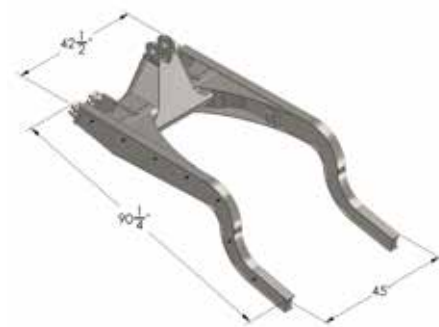
12066
Beck Trailer Axle Latch Mount Plate [Post 2016]



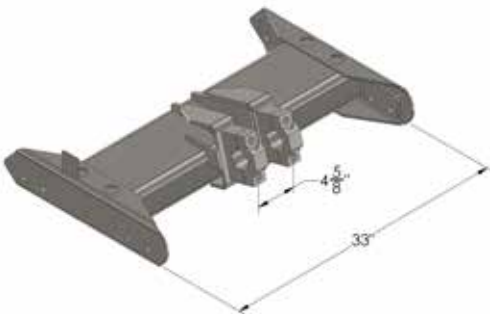
12067
Beck Trailer Axle Latch



12300
Beck Interstate Class Trailer Assembly with Axle
[13,000 lb. Rating]



12301
Beck Interstate Class Trailer without Axle



12303
Beck Trailer Axle Cylinder Crossmember



12305
Beck Trailer Axle Latch Spring 8-1/4"

PARTS AND ACCESSORIES



12308
Beck Trailer Axle Latch Pin 1" x 2-1/2"



12357
Beck Trailer Axle Cylinder Mount Block Set for 3/4" Bolts



12358
Beck Trailer Axle Cylinder Mount Pin [Post 2015]



12360
Beck Interstate Class 2-1/4" Spherical Bearing for 67330 [See page 78]

COMPATIBLE WITH

MTM	CBMW	CON-TECH
0016092	51620765	720008



12361
Beck Trailer Axle 2-1/4" Snap Ring

COMPATIBLE WITH

CON-TECH
705098



12364
Beck Trailer Axle Pin Spacer



12110
Beck Interstate Class 2-1/2" Flange Mount Bearing for Axle [12375 & 12376]



12366
Beck Trailer Axle 2-1/2" Axle Pin



12370
Hendrickson Interstate Class Axle [13,000 lb. Rating]



12371
Beck Interstate Class Trailer Axle Stabilizer

COMPATIBLE WITH

MTM	CON-TECH
0188206	225165



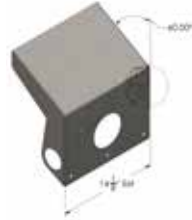
12375
RH Bearing Housing Plate [Post 2014]



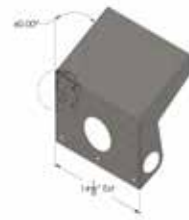
12376
LH Bearing Housing Plate [Post 2014]



12377
Type 20 Brake Chamber for Interstate Class Axle



15370
Beck LH Trailer Fender



15372
Beck RH Trailer Fender



15374
Trailer Fender Mounting U-Bolt 1-7/8"



15383
Beck Trailer Axle Fender Support "L" Bracket



18505
Beck Interstate Class Trailer Mud Flap [13-1/2" x 13-1/2"]

COMPATIBLE WITH

MTM
0085478

CON-TECH
730043



36376
Beck Trailer in Motion Proximity Switch Bracket



36377
Beck Trailer in Motion Bracket for Actuator



67330
Beck Interstate Class Bridge Cylinder with Gauge

COMPATIBLE WITH

MTM
1459907

CBMW
90251200



67311
Beck Trailer Axle Latch Cylinder

COMPATIBLE WITH

MTM
1459907

CBMW
90251200



67313
Beck Trailer Axle Cylinder Yoke



61320
3000 PSI Trailer Hydraulic Pressure Gauge

PARTS AND ACCESSORIES



64281
Parker Valve Chute Up/Down



64282
Parker Valve Axle Up/Down & Pause/Resume



64284
Beck Interstate Class Block Valve Coils



64287
Beck Interstate Class Block Valve- Bare [Pre 2017]



64287A
Beck Interstate Class Block Valve + D03 Manifold



64291 - Beck Interstate Class Block Valve Assembly [Post 2017]
64293 - Beck Interstate Class Block Valve Coil for part 64291 [Post 2017]



67333
5000 PSI Trailer Axle Cylinder Nitrogen Gauge



67336
Beck Interstate Class Axle Cylinder Holding Valve



92003LED
Red LED Marker Light 2-1/2"

COMPATIBLE WITH

MTM
3043395

CON-TECH
715023



92540LED
Red LED Light 4"

COMPATIBLE WITH

CON-TECH
715001



92542
4" Closed Back Grommet

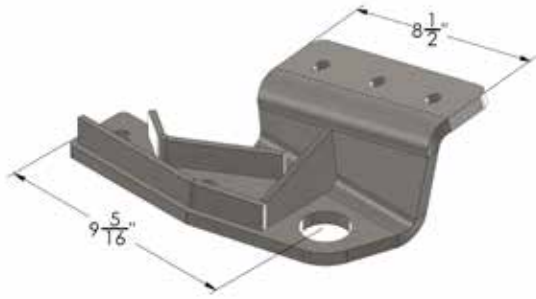


92545
2-1/2" Closed Back Grommet

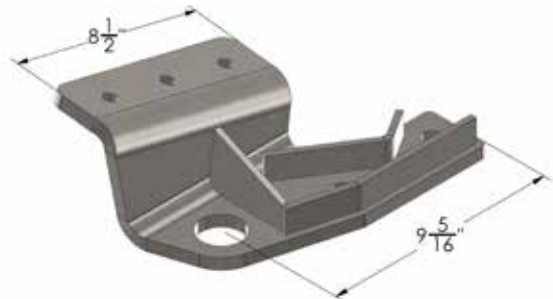
COMPATIBLE WITH

MTM
1240516

CON-TECH
715001



15381
Beck RH Trailer Axle Fender Support Bracket



15382
Beck LH Trailer Axle Fender Support Bracket



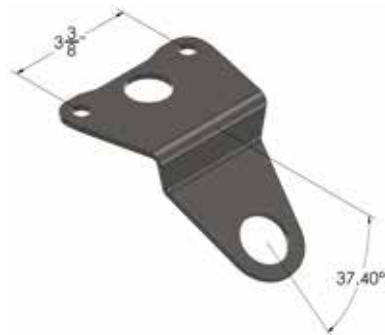
36332
Beck Main Chute Proximity



36366
2 Wire Trailer in Motion Proximity Sensor [6' Cable Length]

COMPATIBLE WITH

MTM
110198



36375
Beck Chute Center Bracket



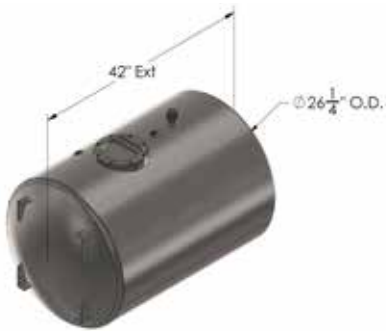
36338
Beck Interstate Class Proximity Relay



beck

beck industrial
SAFEJET

www.beckindustrial.com



71090
90 Gallon Steel Water Tank

COMPATIBLE WITH

MTM
0151763

CON-TECH
285609

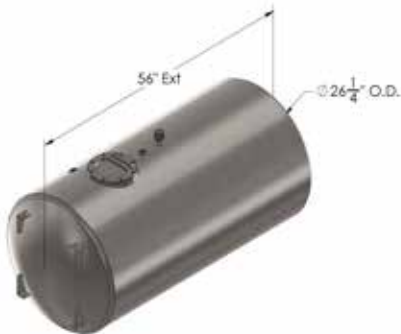


71090SA
90 Gallon Aluminium Water Tank

COMPATIBLE WITH

MTM
0182750

CON-TECH
285607

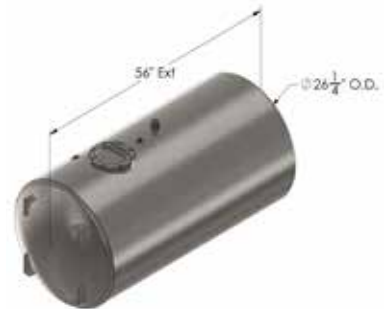


71000
125 Gallon Steel Water Tank

COMPATIBLE WITH

MTM
0151770

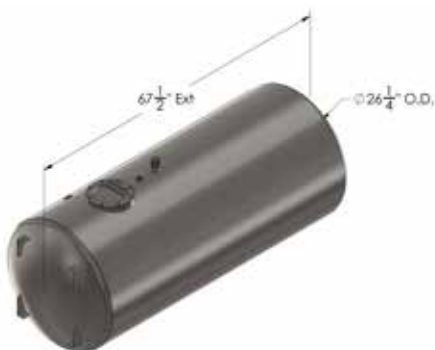
CBMW
90117125



71125SA - 125 Gallon Aluminium Water Tank
71125 - 125 Gallon Quick Fill Steel Water Tank

COMPATIBLE WITH

MTM
0182770



71100
150 Gallon Steel Water Tank

COMPATIBLE WITH

MTM
0151775

CBMW
90117150



71150SA - 150 Gallon Aluminium Water Tank
71150 - 150 Gallon Quick Connect Water Tank

COMPATIBLE WITH

MTM
0182800

WATER TANKS & ACCESSORIES



71001
Aluminum Water Tank Flapper Assembly

COMPATIBLE WITH		
MTM 0150830	CBMW 80110470	CON-TECH 725009



71010A
Aluminum Water Tank Flapper Housing

COMPATIBLE WITH		
MTM 0150832	CBMW 80110473	CON-TECH 770001



71012
Water Tank Flapper Rubber

COMPATIBLE WITH		
MTM 0150831	CBMW 80110472	CON-TECH 730018



71018
Water Tank Flapper Spring

COMPATIBLE WITH		
MTM 0115184	CBMW 80110471	CON-TECH 705020



71002
Water Tank Rubber Flapper Gasket

COMPATIBLE WITH		
MTM 0115212	CBMW 80110475	CON-TECH 725011



71003
Water Tank Paper Flapper Gasket

COMPATIBLE WITH		
		CON-TECH 725075



72000
Water Tank Bracket Assembly
[Fits 26-1/4" Diameter Water Tanks]



72350
Extruded Rubber Strap 3"



72360
Extruded Rubber Strap 3-1/4"



71011
Cross Frame Water Tank Grab Rail

COMPATIBLE WITH

MTM
0182840

CON-TECH
285084

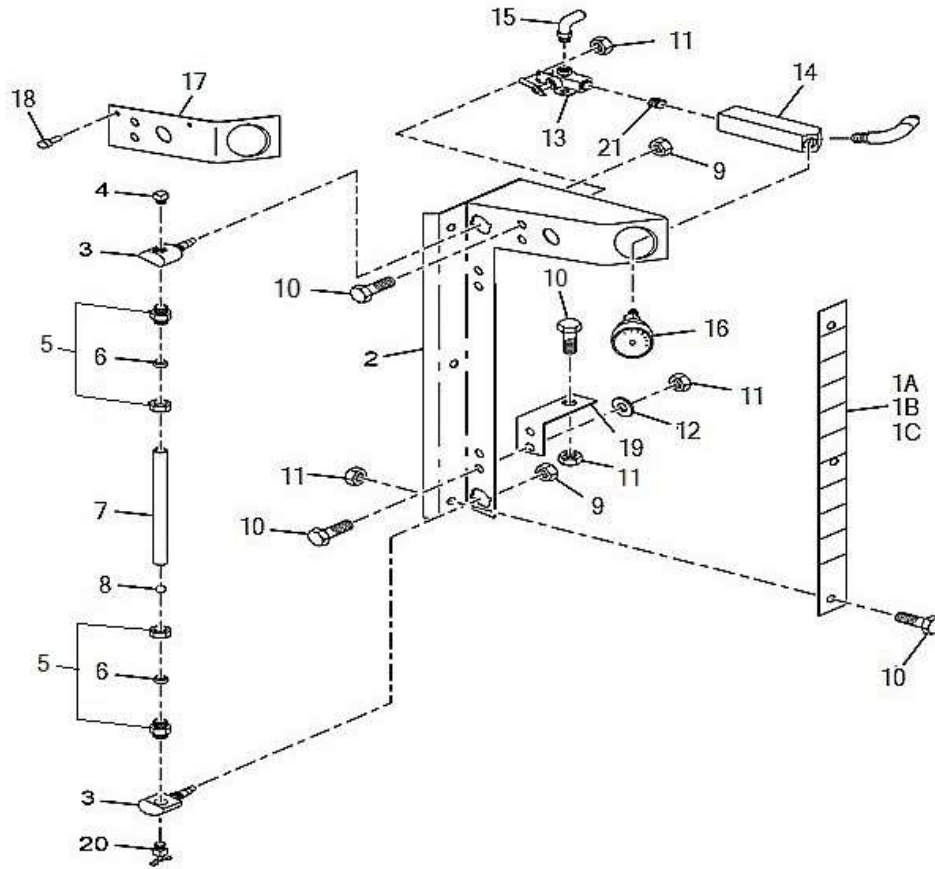


72426
Cross Frame Water Tank
Bracket for 26" Water Tanks



72430
Cross Frame Water Tank
Bracket for 30" Water Tanks

WATER GAUGE ASSEMBLY



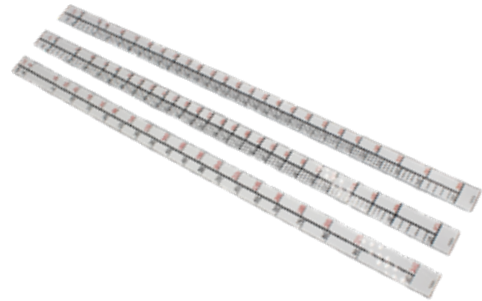
Water Gauge Assembly

Item	Part #	Description
	70125	125 Gal Water Gauge Assembly
1	70004	125 Gal Water Gauge Level Strip
2	70001	Beck Water Gauge Housing
3	70006	Aluminium Sight Gauge Valve Top & Bottom
4	10F-02	1/8" Sight Gauge Plug
5	70114	Sight Tube Compression Coupling
6	70115	Sight Tube Compression Sleeve
7	70005-3	Sight Tube with Red Stripe
8	70008	Sight Tube Red Float Ball
9	70007	Sight Gauge Jam Nut
10	1C416SS	1/4" x 1" Bolt
11	17D1	1/4" Nut
12	1E04SS	1/4" Flat Washer
13	70112	Sight Gauge Three-Way Valve
14	70070	Sight Gauge Manifold Block
15	70011	Sight Gauge 3/8" x 3/8" Swivel Elbow
16	70118	100 PSI Pressure Gauge
17	70113	Beck Water Gauge Placard
18	1R325	1/4" Aluminium Rivet
19	70002	L-Bracket
20	70116	Sight Gauge Pet Cock
21	5PF06CI	3/8" Close Nipple

WATER GAUGE ASSEMBLY



70125 - 125 Gallon Water Gauge Assembly
70150 - 150 Gallon Water Gauge Assembly



70091 - 90 Gallon Water Gauge Level Strip
70004 - 125 Gallon Water Gauge Level Strip
70012 - 150 Gallon Water Gauge Level Strip

COMPATIBLE WITH

MTM
0082392

CON-TECH
799004



70001
Beck Water Gauge Housing



70006
Aluminum Sight Gauge Valve Top & Bottom

COMPATIBLE WITH

MTM
0152774

CON-TECH
710002



10F-02
1/8" Sight Gauge Plug

COMPATIBLE WITH

MTM
0015920

CON-TECH
710005



70114
Sight Tube Compression Coupling

COMPATIBLE WITH

MTM
0152774

CON-TECH
710002

WATER GAUGE ASSEMBLY



70115
Sight Tube Compression Sleeve

COMPATIBLE WITH

MTM **CON-TECH**
0101564 **720012**



70005-3
Sight Tube with Red Stripe

COMPATIBLE WITH

CBMW **CON-TECH**
10130188 **730032**



70008
Sight Tube Red Float Ball

COMPATIBLE WITH

MTM **CBMW** **CON-TECH**
0115908 **10130187** **730029**



70112
Sight Gauge Three-Way Valve

COMPATIBLE WITH

MTM **CON-TECH**
0082404 **760021**



70070
Sight Gauge Manifold Block

COMPATIBLE WITH

MTM
0150769



70011
Sight Gauge 3/8"x3/8" Swivel Elbow

WATER GAUGE ASSEMBLY



70118
100 PSI Pressure Gauge

COMPATIBLE WITH

MTM	CBMW	CON-TECH
0011539	10100147	760022



70116
Sight Gauge Pet Cock

COMPATIBLE WITH

MTM	CON-TECH
0201600	710007



70113
Beck Water Gauge Placard

COMPATIBLE WITH

CON-TECH
799101



70215
MTM Manifold Block

COMPATIBLE WITH

MTM	CON-TECH
0150824	760031



70305
CBMW 3-Way Air Valve

COMPATIBLE WITH

CBMW
10100154



70300 - CBMW Sight Glass Bracket Assembly
70309 - CBMW Water Gauge Housing

COMPATIBLE WITH

CBMW	90132000
CBMW	90122000

WATER SYSTEM ACCESSORIES



5PF08BV - 1/2" Ball Valve
5PF08BVA - Apollo 1/2" Ball Valve

COMPATIBLE WITH

MTM 1238530	CBMW 10100165	CON-TECH 760036
-----------------------	-------------------------	---------------------------



5PF12BV - 3/4" Ball Valve
5PF12BVA - Apollo 3/4" Ball Valve

COMPATIBLE WITH

MTM 1238531	CBMW 10100166	CON-TECH 760018
-----------------------	-------------------------	---------------------------



5PF16BV - 1" Ball Valve
5PF16BVA - Apollo 1" Ball Valve

COMPATIBLE WITH

CBMW 10100168



5PF20BV - 1-1/4" Ball Valve
5PF20BVA - Apollo 1-1/4" Ball Valve

COMPATIBLE WITH

MTM 0082097	CBMW 10100170
-----------------------	-------------------------



5PF24BV
 1-1/2" Ball Valve

COMPATIBLE WITH

MTM 0001001	CBMW 10100172
-----------------------	-------------------------



5PF06VA
 3/8" Ball Valve for Yamada Diaphragm Pump



5PF12SR
3/4" Spring Release Valve



5PF16SR
1" Spring Release Valve

COMPATIBLE WITH

MTM 5PF16SR	CBMW 10101168	CON-TECH 760008
------------------------------	--------------------------------	----------------------------------



74206 - Wash Hose 5/8" x 6'
74212 - Wash Hose 5/8" x 12'
74225 - Wash Hose 5/8" x 25'

COMPATIBLE WITH

MTM 0082242	CON-TECH 730009
------------------------------	----------------------------------



5HF1212
3/4" x 3/4" Hose Adaptor

COMPATIBLE WITH

CON-TECH 710004



75000
0 - 125 PSI Adjustable Air Pressure Regulator

COMPATIBLE WITH

MTM 0087011	CBMW 10100167	CON-TECH 760035
------------------------------	--------------------------------	----------------------------------



75500
55 PSI Fixed Air Pressure Regulator

WATER SYSTEM ACCESSORIES



73000
Water Line "T"

COMPATIBLE WITH

MTM
0082109

CON-TECH
710000



75600
MTM Coalescing Filter

COMPATIBLE WITH

MTM
1321745

CON-TECH
735015



75610
MTM Metal Bowl for Coalescing Filter

COMPATIBLE WITH

MTM
0041520

CON-TECH
735016



75615
Coalescing Air Filter Element

COMPATIBLE WITH

MTM
0121415

CON-TECH
735017



76000
1/2" x 1/2" Valve

COMPATIBLE WITH

MTM
0101291

CBMW
90132008

CON-TECH
760004



77000
Digital Water Meter

COMPATIBLE WITH

CON-TECH
765201



73500
Complete Water Tee Assembly



78000
Water Tank Pop-Off Valve

COMPATIBLE WITH

MTM
0010024

CBMW
10100141



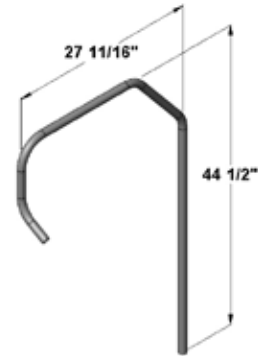
78100
60 PSI Pressure Relief Valve

COMPATIBLE WITH

MTM
0082407

CBMW
80100466

CON-TECH
760030



79000
Beck Water Injection Pipe [Pre 2012]



79050
Beck Water Injection Pipe [Post 2012]



79320
MTM Water Injection Pipe

COMPATIBLE WITH

MTM
153525

CON-TECH
215163

WATER SYSTEM ACCESSORIES



79400 - CBMW Water Injection Pipe Short
79401 - CBMW Water Injection Pipe Long

COMPATIBLE WITH

MTM	CBMW 90105416
1332160	CBMW 90105415



93007
 Spray Nozzle

COMPATIBLE WITH

MTM	CBMW	CON-TECH
0082243	10100159	730030



93007I
 Insulated Spray Nozzle

COMPATIBLE WITH

MTM	CON-TECH
0082573	730034



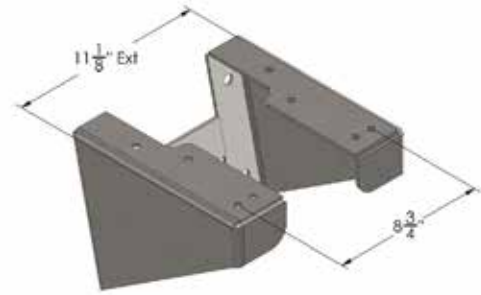
93010
 3/4" x 3/4" Barb Female Hose Adaptor



93011
 3/4" x 3/4" Barb Male Hose Adaptor



77550
1" Diaphragm Water Pump [YAMADA]



77566
Yamada/WILDEN Pump Mount Bracket



77575
1" 60 Mesh Y-Strainer



77580
1" Diaphragm Water Pump [Wilden]



77591
SAFEJET SMC Air Regulator



77592
Metal Bowl for 77591 SMC Regulator

SAFEJET & ACCESSORIES



77160DK

Beck/MTM Driver Side Collection Hopper Spray Header Assembly



77160PK

Beck/MTM Passenger Side Collection Hopper Spray Header Assembly



77160TA

Manual SAFEJET Rear Valve Assembly



77200VA

Auto SAFEJET Valve Assembly



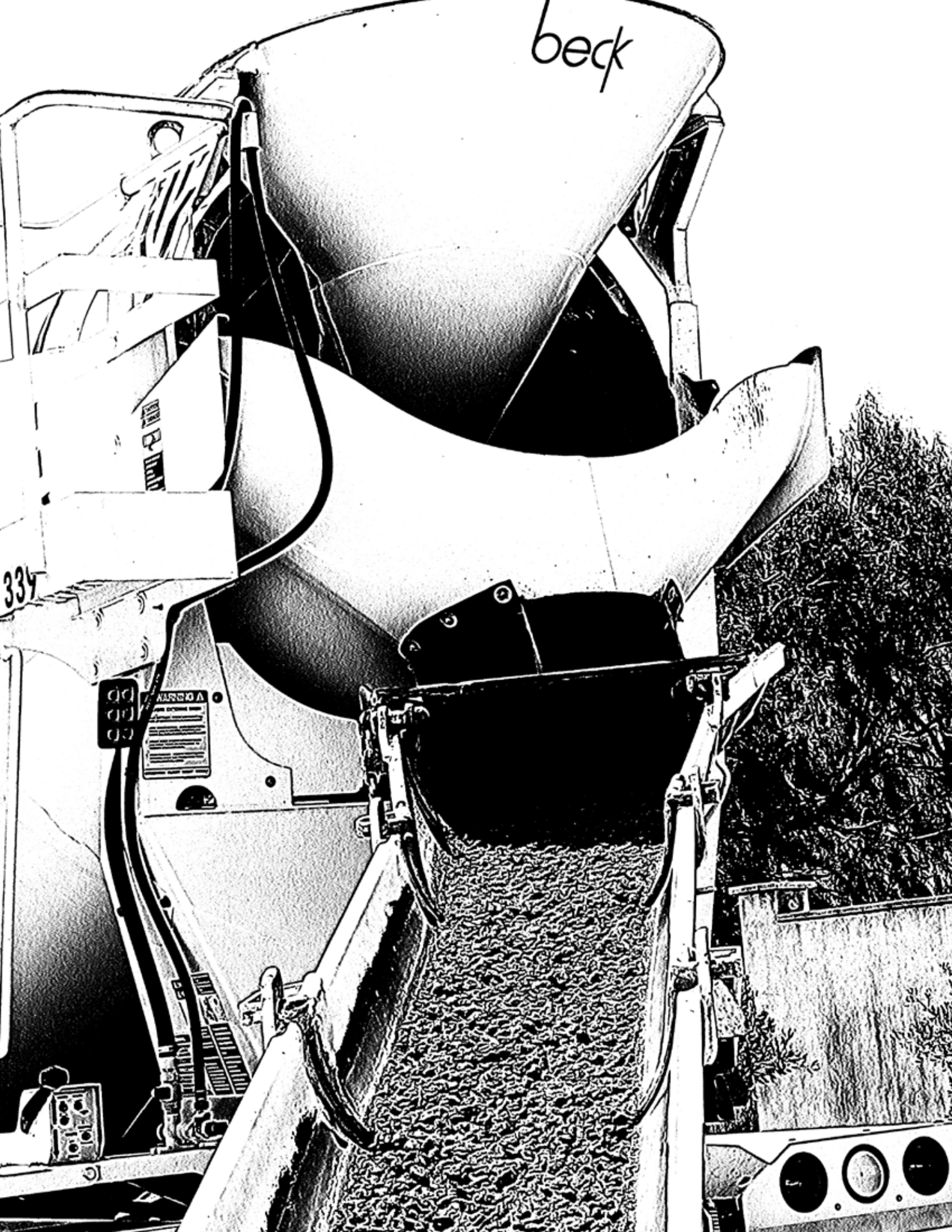
77100

Manual SAFEJET Retrofit Kit



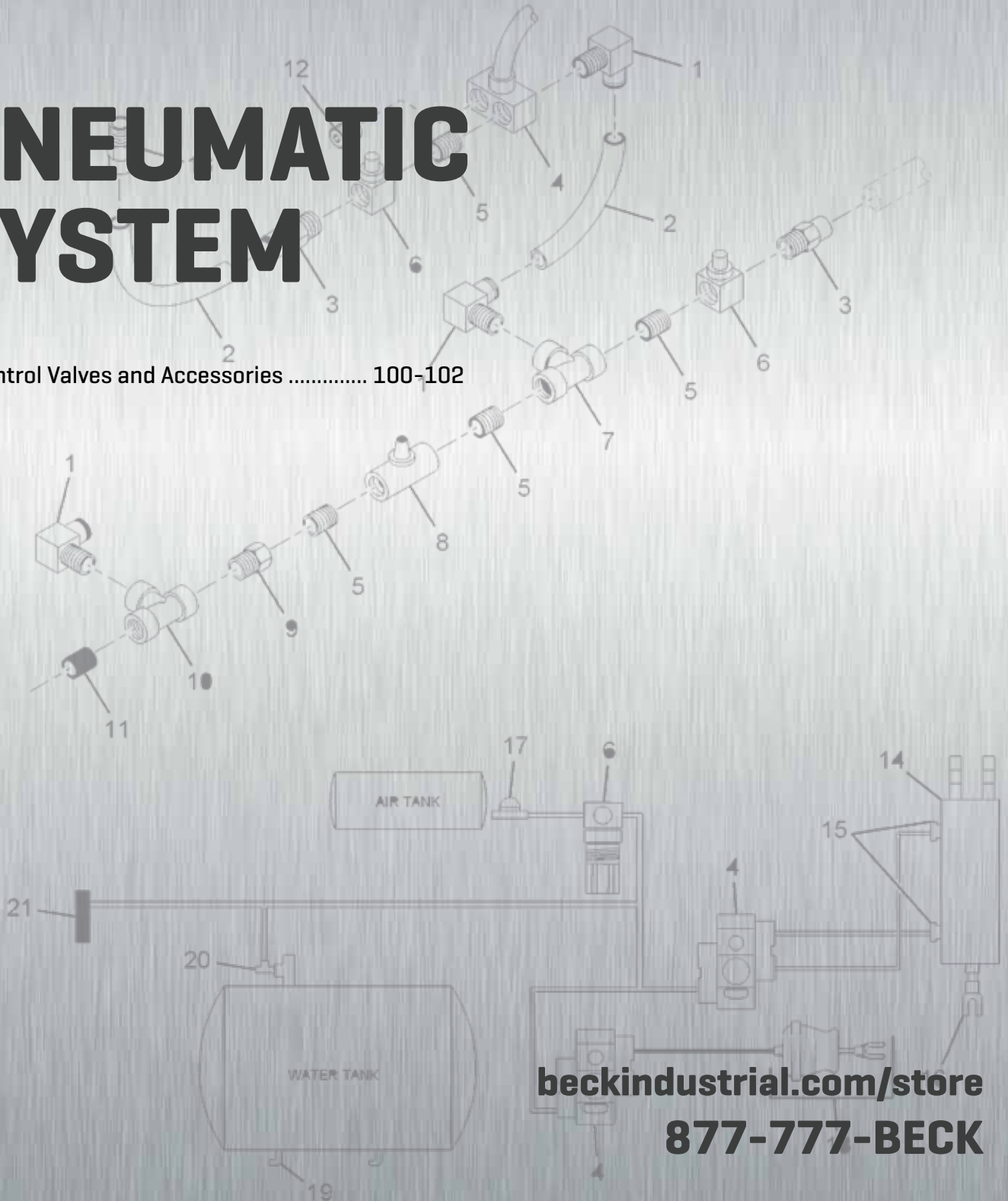
77100NK

SAFEJET Nozzle Kit



PNEUMATIC SYSTEM

Air Control Valves and Accessories 100-102



beckindustrial.com/store
877-777-BECK



36333
Mac Valve, Chute Lock (MTM)

COMPATIBLE WITH

MTM	CON-TECH
1138152	760052



36334
Mac Valve, Air Hopper Lift (MTM)

COMPATIBLE WITH

MTM	CON-TECH
1138153	760053



36335
Mac Valve, Auxiliary Axle

COMPATIBLE WITH

MTM	CON-TECH
1138154	760054



36357
Mac Valve, Pusher Axle Override

COMPATIBLE WITH

MTM	CON-TECH
0082521	760034



47040
Mac Valve, Chute Lock

COMPATIBLE WITH

MTM	CON-TECH
1138152	760032



48030
Mac Valve, Hopper Lift/Chute Lock (Beck)

COMPATIBLE WITH

MTM	CON-TECH
0085288	760033



48030C
Mac Valve, Hopper Lift W/ Fittings/ Chute Lock (Beck)



75000
0 - 125 PSI Adjustable Air Pressure Regulator

COMPATIBLE WITH

MTM	CBMW
0087011	10100167



75500
55 PSI Fixed Air Pressure Regulator



48030F
Mac Valve, Hopper Lift with Fittings/ Chute Lock (Beck)

AIR CONTROL VALVES & ACCESSORIES



74000
Air Safety Valve



70118
100 PSI Pressure Gauge

COMPATIBLE WITH

MTM	CBMW	CON-TECH
0011539	10100147	760022



77591
SAFEJET SMC Air Regulator



77592
Metal Bowl for 77591 SMC Regulator



75600
MTM Coalescing Filter

COMPATIBLE WITH

MTM	CON-TECH
1321745	735015



75610
MTM Metal Bowl for 75600 Coalescing Filter

COMPATIBLE WITH

MTM	CON-TECH
1322923	735016



75615
Coalescing Air Filter Element

COMPATIBLE WITH

MTM	CON-TECH
0121415	735017



48010
Beck Charge Hopper Tilt Cylinder



48110
MTM Charge Hopper Tilt Cylinder

COMPATIBLE WITH

MTM	CBMW	CON-TECH
0107616	80151692	750002



47510
Beck T-24 Air Chamber for Chute Lock



47070
MTM T-16 Air Chamber for Chute Lock



47008
CBMW T-16 Air Chamber for Chute Lock

COMPATIBLE WITH

MTM
0183122

CON-TECH
785001

COMPATIBLE WITH

CBMW
90570019



70112
Three Way Air Valve

COMPATIBLE WITH

MTM
0082404



70215
MTM Manifold Block

COMPATIBLE WITH

MTM
150824

CON-TECH
760031



78000
Water Tank Pop-Off Valve

COMPATIBLE WITH

MTM
0010024

CBMW
10100141



78100
60 PSI Pressure Relief Valve

COMPATIBLE WITH

MTM
0082407

CBMW
80100466



70305
CBMW 1/4" Three Way Air Valve

COMPATIBLE WITH

CBMW
10100154

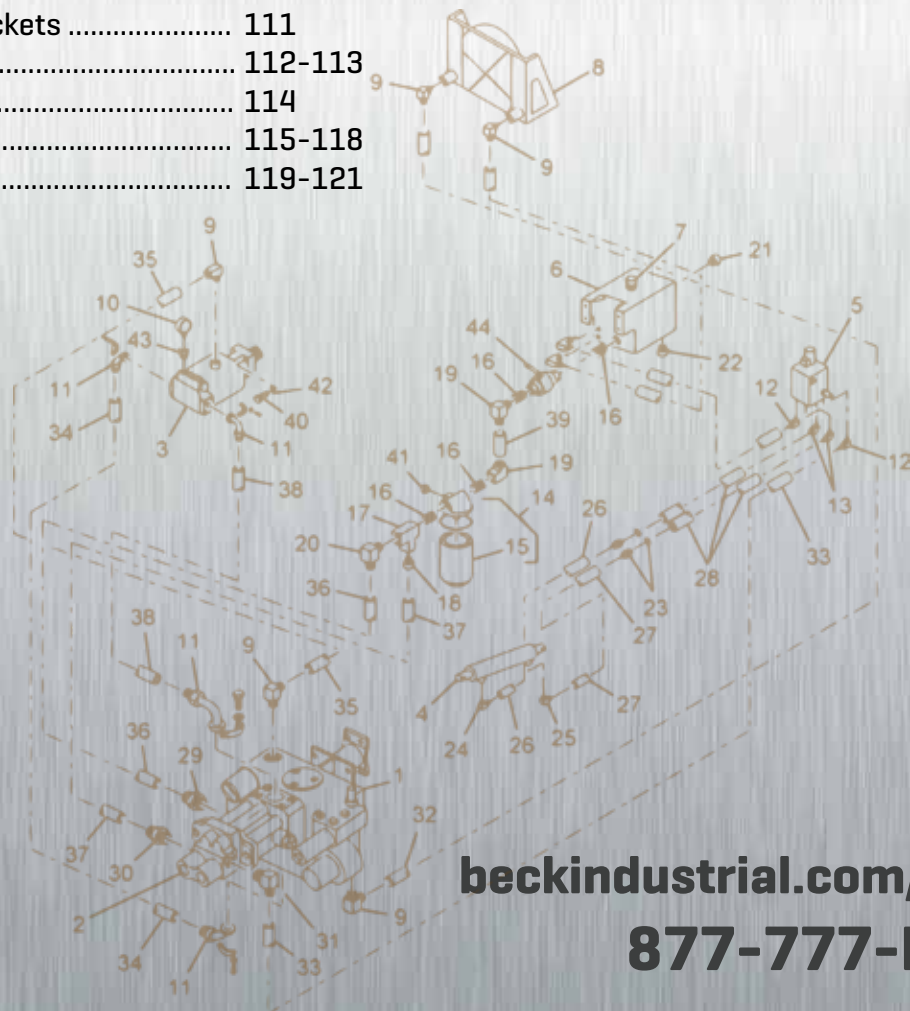


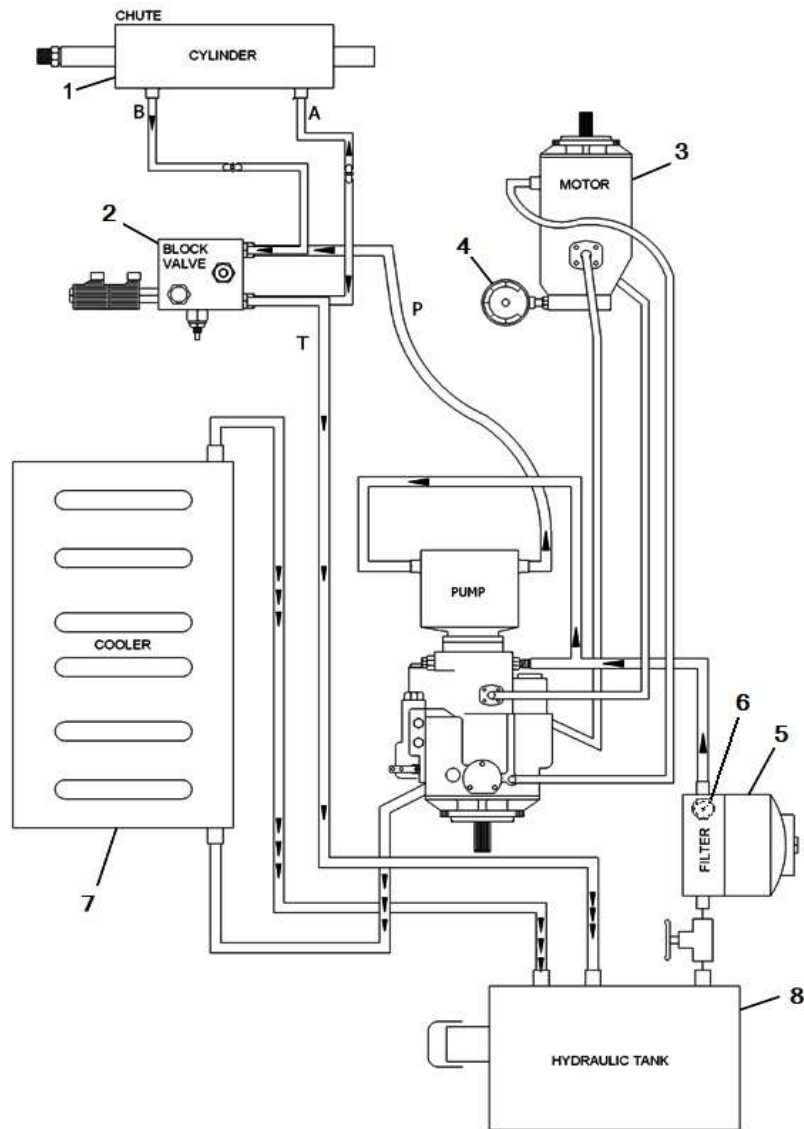
TN DOT 08432C
US DOT 198044

beck
concrete mixers

HYDRAULIC SYSTEM

Hydraulic System Parts	106-108
Chute Blocks	109-110
Hydraulic Tanks and Brackets	111
Dynachutes	112-113
Transmissions	114
Pumps and Motors	115-118
Drive Lines.....	119-121





BECK HYDRAULIC SYSTEM LAYOUT

ITEM	PART NUMBER	DESCRIPTION
1	67010	Beck 2-1/2" Universal Cylinder - Double or Single Acting
2	64770	Beck Double Action Open Center Block Valve
3	63000	Eaton Motor 4633-153
4	61300	5000 PSI Slump Meter with Indicators
5	61225E	25 Micron Filter Element
6	61210	Vacuum Gauge Hydraulic Filter
7	61165	Beck Hydraulic Oil Cooler
8	60300	Beck 14" Cylindrical Hydraulic Tank [14 Gallon Capacity]

HYDRAULIC SYSTEM PARTS



61225H
1" Hydraulic Bypass Head only



61300
5000 PSI Slump Meter with Indicators

COMPATIBLE WITH
CON-TECH
760110



60001
Hydraulic Filler Cap with Breather Screen

COMPATIBLE WITH
CBMW
10240001



61102
160° Oil Cooler Temperature Switch

COMPATIBLE WITH
CBMW
90201076



61103
180° Hayden Oil Cooler Temperature Switch

COMPATIBLE WITH
MTM **CBMW** **CON-TECH**
1165928 **90201078** **715015**



61104
210° Oil Cooler Temperature Switch



61110
Fan Assembly with Packard Connector



61140
140° Oil Cooler Temperature Switch

COMPATIBLE WITH
MTM **CBMW** **CON-TECH**
1165926 **90201074** **715016**



61165
Beck Hydraulic Oil Cooler



61166
Beck Hydraulic Oil Cooler Fan



61215
Beck 10 Micron Filter Element



61225E
Beck 25 Micron Filter Element

HYDRAULIC SYSTEM PARTS



61245-S
Parker Pressure Filter Assembly



61246
Parker Pressure Filter Element



63100
Eaton 46 Series Motor Gasket



60005
3/4" Hydraulic Tank Sight Glass



67010
Beck 2-1/2" Universal Cylinder - Double
or Single Acting

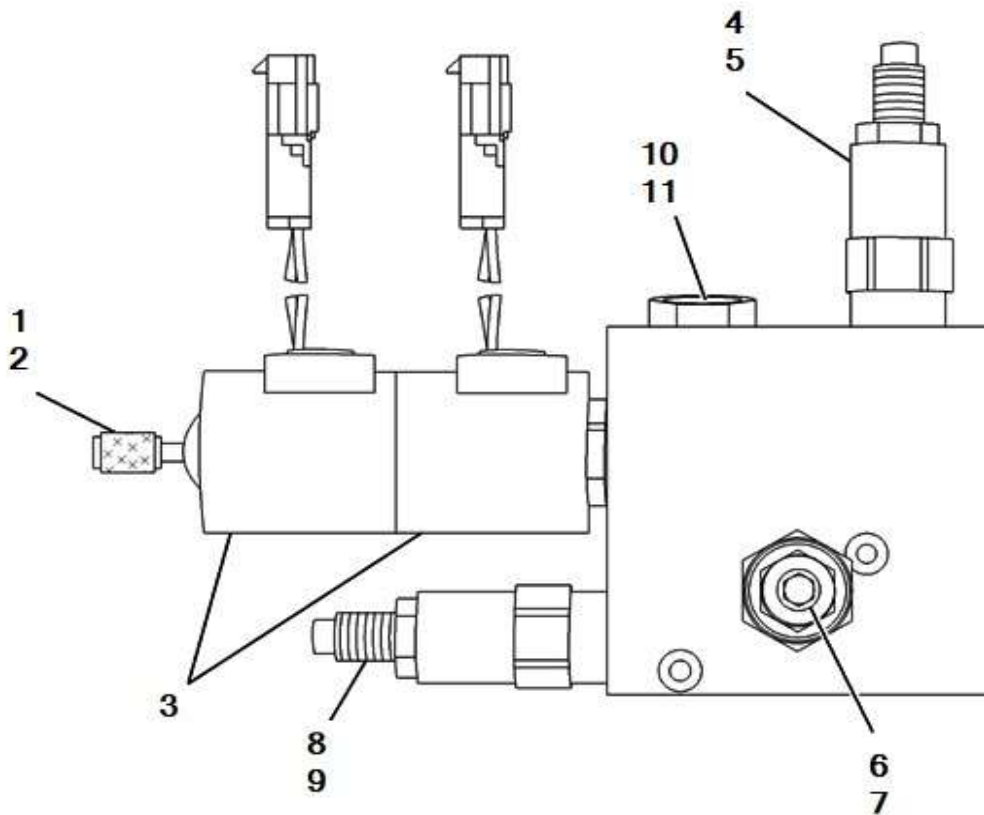
COMPATIBLE WITH

MTM
0107596

CBMW
80256733



61210
Vacuum Gauge Hydraulic Filter



64770 - BECK CHUTE BLOCK VALVE ASSEMBLY

BECK CHUTE BLOCK VALVE ASSEMBLY

ITEM	Part #	DESCRIPTION
1	64771	Closed Center Spoil Valve
2	64771SK	Seal Kit for 64771
3	64772	Beck Chute Block Coil
4	64773	Beck 3 GPM Chute Block Flow Regulator
5	64773SK	Seal Kit for 64773
6	64774	Beck 2 GPM Chute Block Flow Regulator
7	64774SK	Seal Kit for 64774
8	64775	Beck 2100 PSI Relief Stem
9	64775SK	Seal Kit for 64775
10	64776	Beck 90 PSI Relief Valve
11	64776SK	Seal Kit for 64776



64281
Parker Valve Chute Up/Down



64282
Parker Valve, Axle Up/Down & Pause



64284
Beck Interstate Class Block Valve Coil



64287A
Beck Interstate Class Block Valve + D03 Manifold



64291 - Beck Interstate Class Block Valve Cartridge
64293 - Beck Interstate Class Block Valve Coil for part 64291 [Post 2017]



64650
MTM Single Action Block Valve

COMPATIBLE WITH		
MTM	CBMW	CON-TECH
0106590	90232100	760101



64770
Beck Double Action Open Center Block Valve



64771A - Closed Center Spool Valve
647710A - Open Center Spool Valve



64772
Beck Chute Block Coil



64773
Beck 3 GPM Chute Block Flow Regulator



64774
Beck 2.0GPM Chute Block Flow Regulator



64776
Beck 90 PSI Chute Block Relief Valve

HYDRAULIC TANKS & BRACKETS



60000
Beck Front Pedestal Mounted Hydraulic Oil Reservoir
[10-1/2 Gallon Capacity]



60300
Beck 14" Cylindrical Hydraulic Tank [14 Gallon Capacity]



60350
Beck 14" Cylindrical Hydraulic Tank Bracket



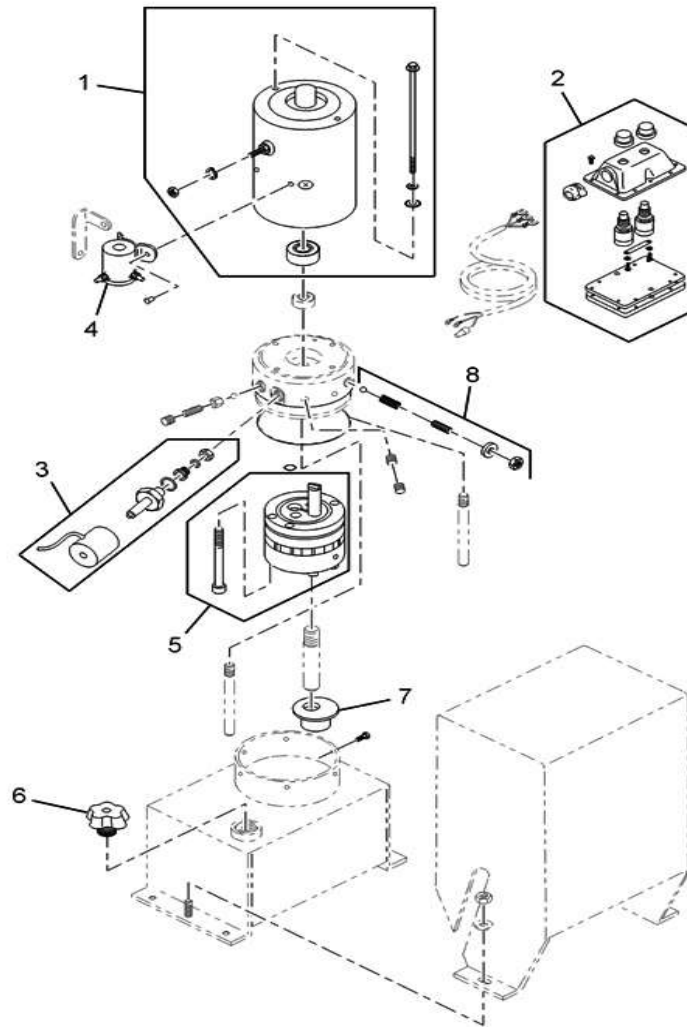
60360
Beck 14" Interstate Class Cylindrical Hydraulic Tank
Bracket with Lug



60370
Beck 14" Interstate Class Hydraulic Tank [17 Gallon
Capacity]



60400
Beck 16" Frame Mounted Hydraulic Tank



Monarch M-719 Dyna-Chute Assembly

Item	Part #	Description
1	62055	Dyna-Chute Motor
2	62720	2 Button Control
3	62052	Two Wire Coil
4	62025	Motor Switch
5	62722	Pump Assembly
6	62731	Breather Cap
7	62738	Filter Screen
8	62732	Relief Valve Parts Kit

DYNA-CHUTES



62000
Dyna-Chute M-719



62025
Dyna-Chute M-719 Motor Switch



62050
Dyna-Chute 2-Way Cartridge



62052
Dyna-Chute M-719 2-Wire Coil



62054
Dyna-Chute M-719 1-Wire Coil



62723
Dyna-Chute M-723



62725
Dyna-Chute M-721 Motor Switch



66000 - ZF P7300 Gearbox
66000RB - ZF P7300 Gearbox, Rebuilt

COMPATIBLE WITH

MTM 0115324	CON-TECH 748008
------------------------------	----------------------------------



66025
ZF Dip Stick

COMPATIBLE WITH

MTM 1179840	CON-TECH 745503
------------------------------	----------------------------------



66030
ZF Sight Gauge

COMPATIBLE WITH

CON-TECH 745505



66040
ZF Main Bearing [ZF part 0750-117-735]

COMPATIBLE WITH

MTM 0215563	CBMW 10750106
------------------------------	--------------------------------



66045
ZF Sealing Collar [ZF part 0734-307-14]

COMPATIBLE WITH

MTM 0215347	CON-TECH 745500
------------------------------	----------------------------------



66075 - ZF PK7500 Gearbox
66075RB - ZF PK7500 Gearbox, Rebuilt

COMPATIBLE WITH

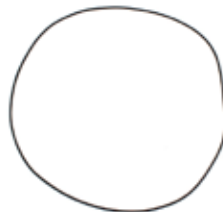
MTM 0115325	CON-TECH 748009
------------------------------	----------------------------------



66400
ZF CML 12 Gearbox

COMPATIBLE WITH

MTM 1474124	CON-TECH 748010
------------------------------	----------------------------------



66401
CML 12 Cover Plate O-Ring

COMPATIBLE WITH

MTM 1488232



66402
CML 12 Cover Plate Torx Screw

COMPATIBLE WITH

MTM 1488235	CON-TECH 745015
------------------------------	----------------------------------



66403
CML 12 Oil Sight Glass

COMPATIBLE WITH

CON-TECH 745506



66405
CML 12 Output Cover

COMPATIBLE WITH

MTM 1488233	CON-TECH 745014
------------------------------	----------------------------------



66407
CML 12 Output Cover Bolt O-Ring

COMPATIBLE WITH

MTM 1488234	CON-TECH 745016
------------------------------	----------------------------------



Eaton 54 Series Pump

64764	Eaton 5423 W/ A Pad And Pony Pump REPTO [CCR]
64764RE	Eaton 5423 W/ RE Control Valve
64765	Eaton 5423 W/ A-Pad and Pony Pump [CR]
64765RE	Eaton 5423 W/ RE Control Valve W/ A-Pad and Pony Pump
5421-247RB	Rebuilt 5421-247 Eaton Pump RH A-Pad
5421-248RB	Rebuilt 5421-248 Eaton Pump LH A-Pad
64250RB	Rebuilt 5421-250 Eaton Pump LH Dual Element
64550RB	Rebuilt 5423-550 Eaton Pump
64551RB	Rebuilt 5423-551 Eaton Pump, LH, A-Pad, 1.5" Shaft
64555RB	Rebuilt 5423-555 Eaton Pump
5421-249RB	Rebuilt 5421-249 Eaton Pump RH Dual Element
5421-250RB	Rebuilt 5421-250 Eaton Pump LH Dual Element
5421-552RB	Rebuilt 5421-552 Eaton Pump RH Dual Element 1.5" Taper Shaft
64021-053RB	Rebuilt 6421-053 Eaton Pump
64554RB	Rebuilt 5423-554 Eaton Pump, LH, A-Pad, 1.5" Shaft



Rexroth Pump (Model R902249812 displayed)

64813	Rexroth Pump, RH, Mechanical, Pressure Filter A4VTG090HW10T/33ARNC4M94FA3S2AP-0 R902249515
64815	Rexroth RH Electronic Pump W/ 25CC Boost Pump A4VTG090EP3PT/33ARNC4M94FA3S2AP-0 R902249812



63000 - Eaton Motor 4633-153
63000RB - Rebuilt Eaton Motor 4633

COMPATIBLE WITH

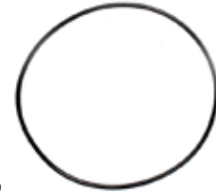
CON-TECH
745450



64001 - Eaton Manual Control Valve Assembly
64001RB - Rebuilt Eaton Manual Control Valve Assembly

COMPATIBLE WITH

CBMW 10230494
CBMW 10230495



64002
Pony Pump O-Ring



64005 - Pause/Resume Valve
64005C - Pause/Resume Valve Coil



64006
Start/Stop Coil



64010P
Eaton Manual Control Valve Arm



64017
Eaton RE Control Valve Gasket

COMPATIBLE WITH

CON-TECH
740005



64018HD
A-Pad Gasket

COMPATIBLE WITH

CON-TECH
725040



64022
Charge Pump Gasket

COMPATIBLE WITH

MTM
0002431

CON-TECH
725016



64325
Eaton Interstate Class Compensation Pump 70122RBB

COMPATIBLE WITH



64400
Eaton Pony Pump Left Rotation 26004-LZE

COMPATIBLE WITH

CBMW
10210200

CON-TECH
745302



64401
Eaton Pony Pump Right Rotation 26004-RZE

COMPATIBLE WITH

CBMW
10210300

CON-TECH
745301

PUMPS AND MOTORS



64500
Eaton Control Valve Seal Kit

MTM **CBMW** **CON-TECH**
0002468 10230500 725002



64520
Eaton Shaft Seal

MTM **CBMW** **CON-TECH**
0123023 10231498 725015



64527
Eaton Servo O-Ring 8761-234

MTM **CON-TECH**
0002404 725000



64528
Eaton Servo O-Ring 8761-237

MTM **CON-TECH**
0002524 725004



64530
Eaton Seal Kit for 54 Series Pump
990090



64656
MTM 12V Block Coil

MTM
0085774



64812
Rexroth A4VTG Seal Kit



64821
Rexroth Pressure Filter Element for
Pump (R902603243)



64830
Rexroth Pony Pump 9510290414



64841
Solenoid for Rexroth EP Pump



64865
Rexroth Motor with Speed Sensor
R902249531



67010
Beck 2-1/2" Acting Cylinder- Double or
Single Acting

MTM **CBMW** **CON-TECH**
0107596 80256733 750001



64004 - Eaton RE Controller
64004RB - Rebuilt Eaton RE Controller



63054 - Eaton 54 Series Motor- No Speed Sensor
63054S - Eaton 54 Series Motor W/ Speed Sensor



64008
Charge/Discharge Valve



64009
Charge/Discharge Coil



64007
Pause/Resume Valve



64003 - Eaton EP Control Valve Assembly
64003RB - Rebuilt Eaton EP Control Valve Assembly
64014 - Eaton EP Control Valve Cartridge
64015 - Eaton EP Control Valve Coil Set



63100
Eaton 46 Series Motor Gasket



1350

Part #	DESCRIPTION
65000	42.5" 1350 Drive Line
65046	46" 1350 DIN Drive Line
65049	49" 1350 Drive Line
65055	55.5" 1350 Drive Line

1310

Part #	DESCRIPTION
65022	49" 1310 Drive Line
65042	42" 1310 Drive Line
65044	44" 1310 Drive Line
65045	45" 1310 Drive Line



1350 Universal Drive Lines

Part #	DESCRIPTION
65010	26" 1350 Universal Drive Line with U-joints
65051	51" 1350 Universal Drive Line with Flange
65465	46.5" 1350 Universal Drive Line with Flange Yoke
65415	41.5" 1350 Drive Line Closed Flange - Center Joint

1310 Universal Drive Lines

Part #	DESCRIPTION
1310	Universal Drive Line with U-Joints



65011
1350 Standard U-Joint



65014
1350 U-Joint with Cup Zerk



65015
1350 No Lube U-Joint



65025
1310 Tapered Yoke 1.5"



65028
1310 Standard U-Joint



65029
1310 No Lube U-Joint



65030
1310 Flange Yoke



65100
1350 Flange Yoke



65500
1350 Slip Yoke with U-Joints 4.938"



65507
1350 Slip Yoke with U-Joints 7.3"



65508
1350 Slip Yoke 2.1"



65027
1310 Slip Yoke 4.625"

DRIVE LINES



65200
1350 Tapered Yoke



65205
1350 Tapered Yoke 1.375"



65210
1310 Tapered Yoke 1.375"



65031
1310 Tapered Yoke 1.25"



65504
DIN Tapered Yoke



65505
1310 x DIN 100 Companion Flange



65506
DIN100 x 1.5" Taper Bore Flange



65300
1350 Strap Kit for U-Joints



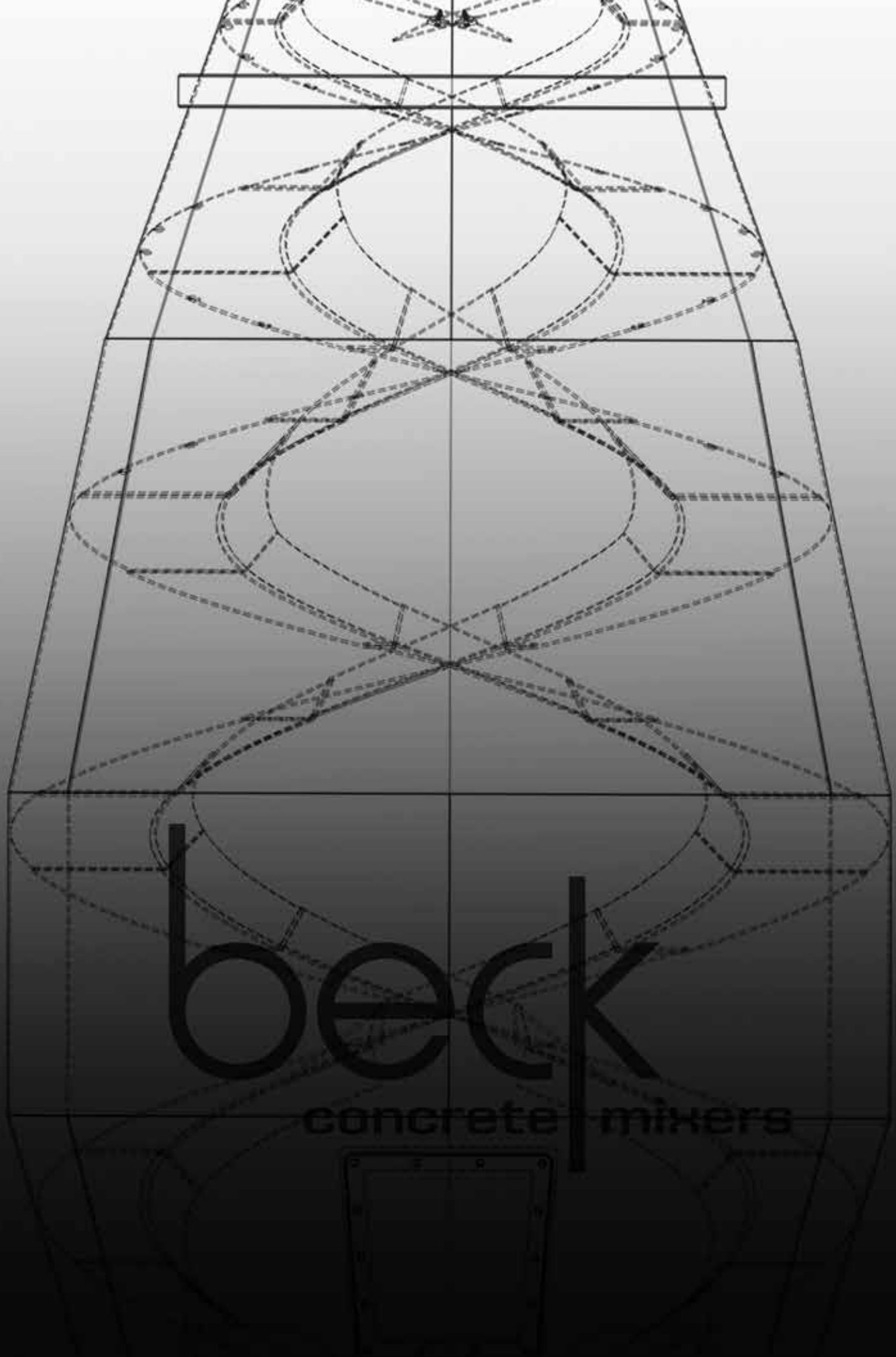
65310
1350 U-Bolt Kit



65315
1310 U-Bolt Kit



65316
1310 Strap Kit for U-Joints

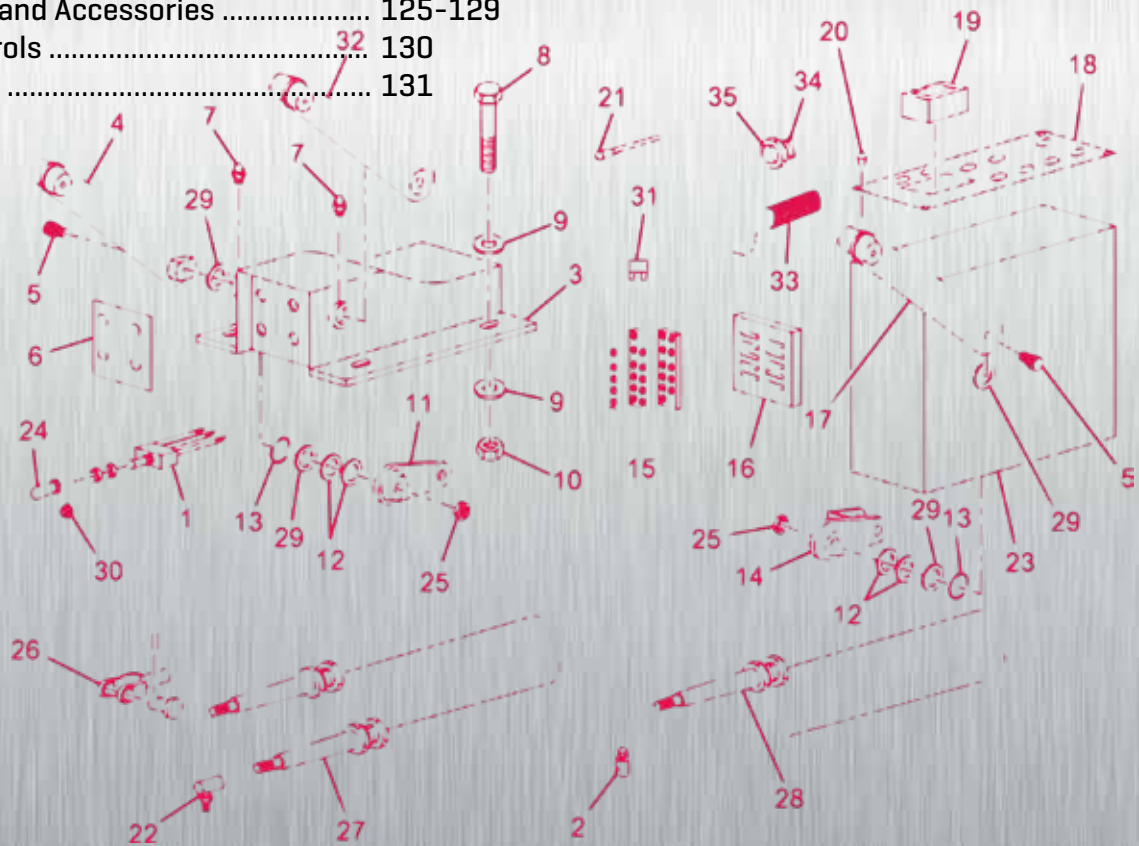


beck

concrete mixers

CONTROLS

Remotes and Pendants 124
 Control Boxes and Accessories 125-129
 Can-Bus Controls 130
 Control Cables 131



beckindustrial.com/store
877-777-BECK



38520
Omnex Safety Neck Strap



31170
Gray Mechanical Pendant Assembly
[12' Cable Length]



31201
Beck Can Bus Pendant with Keypad
[12' Cable Length]



38500
Omnex Wireless Control System



38550
Omnex Wireless Can Bus Control



38551
Omnex/Can Bus Adapter Harness



38552
Omnex Wireless Remote



38555 - Omnex R260 Receiver for Can Bus Control
38557 - Omnex R160 Receiver for Wireless Control

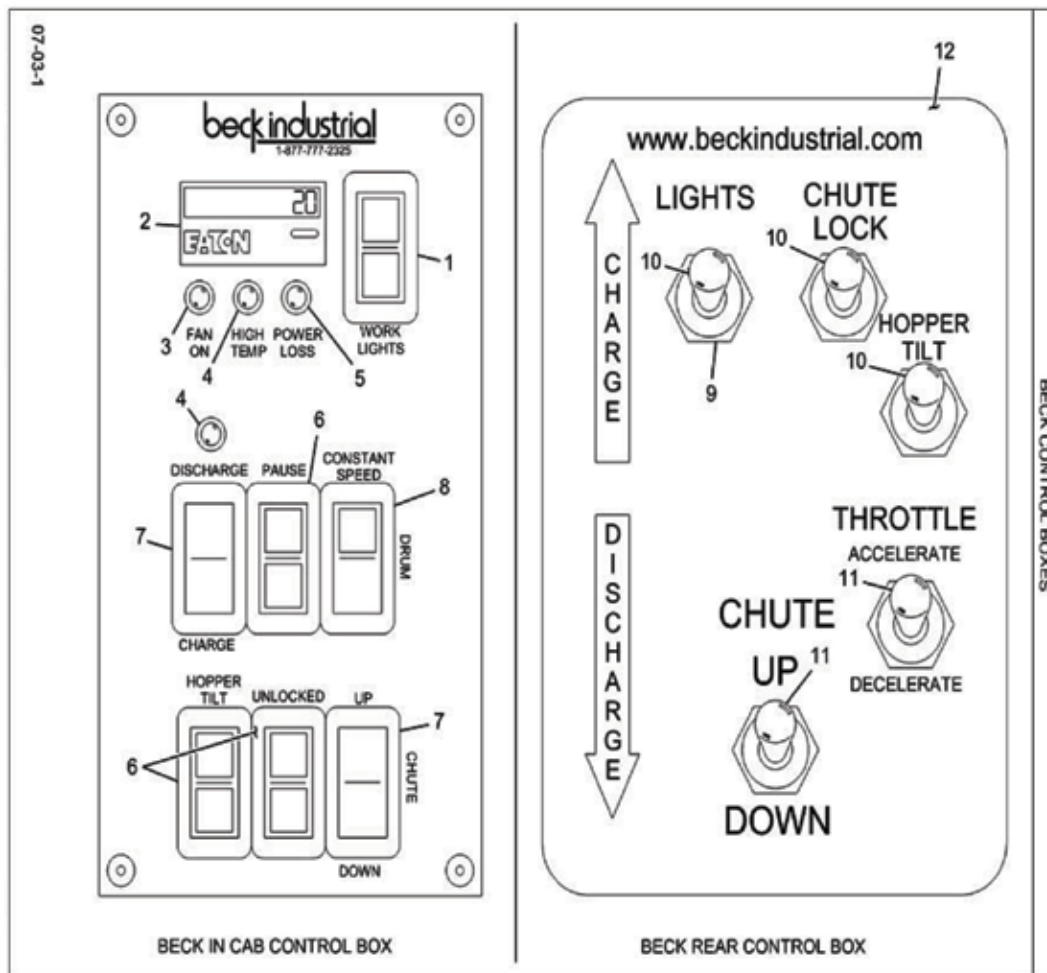


38556
Omnex Remote Plastic Case



BECK GRAY PENDANT WITH RECTANGULAR PLUG

- 31900-3** Beck 3 Function Gray Pendant [Chute Up/Down, Chute Lock, Speed Control]
- 31900-4H** Beck 4 Function Gray Pendant [Chute Up/Down, Chute Lock, Speed Control, Hopper Tilt]
- 31900-4P** Beck 4 Function Gray Pendant [Chute Up/Down, Chute Lock, Speed Control, Pause/Resume]
- 31900-5HP** Beck 5 Function Gray Pendant [Chute Up/Down, Chute Lock, Speed Control, Hopper Tilt, Pause/Resume]
- 31900-5RE** Beck 5 Function Gray Pendant [Chute Up/Down, Chute Lock, Speed Control, RE- Pause/Resume, RE- Charge/Discharge]
- 31900-6REH** Beck 6 Function Gray Pendant [Chute Up/Down, Chute Lock, Speed Control, Hopper Tilt, RE- Pause/Resume, RE- Charge/Discharge]

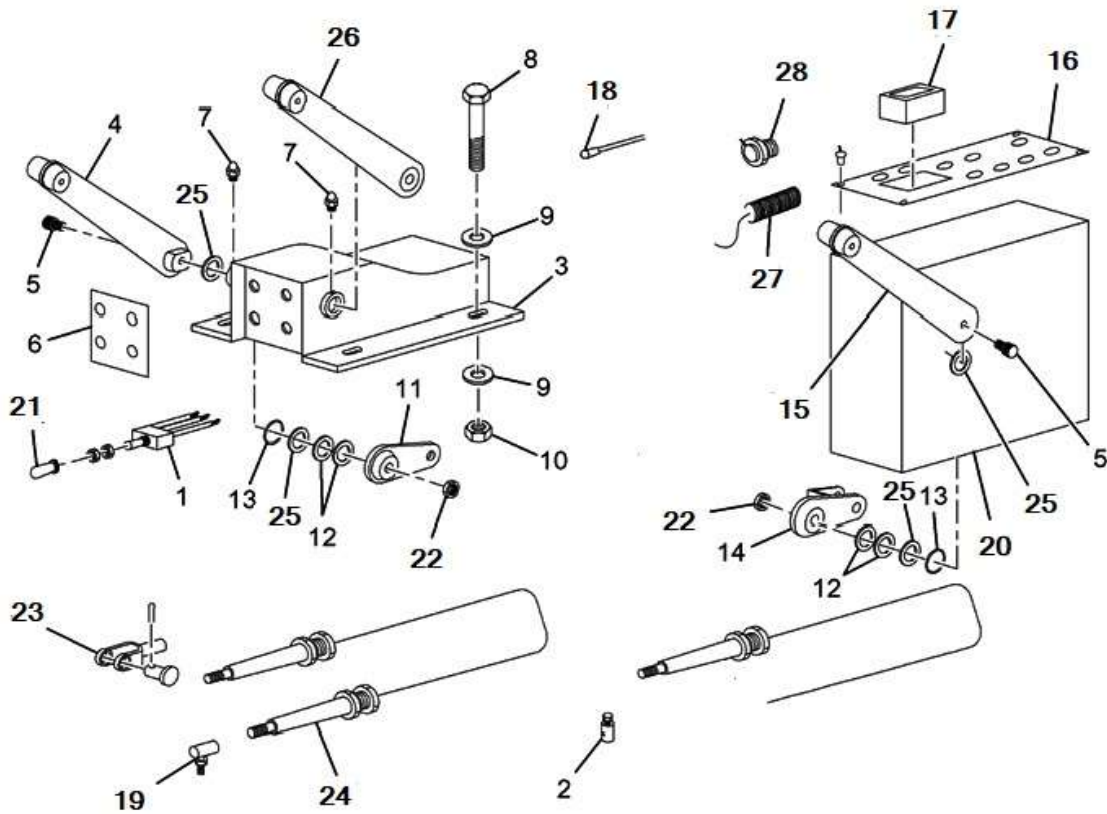


BECK IN CAB CONTROL BOX

ITEM	PART #	DESCRIPTION
1	36110	Rocker Switch, [Double Blue Light, On/Off] 1-5/8"
2	33015	Eaton Digital Drum Counter
3	31507	In Cab Box Green Indicator Light
4	31506	In Cab Box Red Indicator Light
5	31528	Red LED Indicator, Flashing
6	36120	Rocker Switch Double Red Lense 1-5/8"
7	36100	Rocker Switch, DPDT, Momentary [On/Off/On] 1-5/8"
8	36130	Rocker Switch, Single Green Lense 1-5/8"

BECK REAR CONTROL BOX

ITEM	PART #	DESCRIPTION
9	35100	Toggle Switch Half Boot Cover
10	34000	On/Off Switch with Pigtails
11	36000	Momentary Switch with Pigtails
12	31000	Rear Control Box with Handle
	31011R	Rear Control Box Handle with Red Knob
	31027	Rear Control Box Placard



CONTROL COMPONENTS

ITEM	PART #	DESCRIPTION	ITEM	PART #	DESCRIPTION
1	34000	On/Off Switch with Pigtail	15	31012	In Cab Control Box Handle
1	36000	Momentary Switch with Pigtail	16	31535	In Cab Control Box Placard
2	32201	Control Cable Stop	17	33015	Eaton Digital Drum Counter
3	31000	Rear Control Box w/ Handle	18	31507	In Cab Box Green Indicator Light
4	31011G	Green Rear Control Box Handle Assembly	18	31506	In Cab Box Red Indicator Light
5	1C540SC	Socket Cap Screw for Rear Control Box	19	32700	1/4"-28 Ball Joint for Control Cable
6	31027	Rear Control Box Placard	20	31501	Bare In Cab Control Box
7	31016	5/16" Rear Control Box Grease Fitting	21	35100	Toggle Switch Half Boot Cover
8	1C624	3/8"-16 x 1 1/2" Bolt	22	17D2	5/16"-18 Toplock Nut
9	1E 06	3/8" Flat Washer	23	32600	1/4"-28 Clevis for Control Cable
10	17D3	3/8"-16 Toplock Nut	24		Control Cables: See Page 131
11	31018	LH Drum Control Lever Plate	25	31023	Control Box Handle Shim
12	31021	Belleville Washer	26	31011R	Rear Control Box Handle with Red Knob
13	31022	O-Ring	27	33010	Drum Counter Read Switch
14	31020	In Cab Control Box Lever Plate	28	33012	Nylon Bolt with Magnet for Drum Counter

CONTROL BOXES AND ACCESSORIES



31000
Rear Control Box with Handle

COMPATIBLE WITH

MTM	CON-TECH
0153914	765001



31040
Can-Bus Rear Control Box



31042
Can-Bus Covered Rear Control Box



31501
Bare Cab Control Box



78212
CBMW Rear Control Box with 2 Handles

COMPATIBLE WITH

MTM	CBMW
0016550	50412100



31011
Rear Control Box Handle

COMPATIBLE WITH

MTM	CBMW	CON-TECH
0016437	50412102	705500



31011G
Green Rear Control Box Handle Assembly

COMPATIBLE WITH

MTM
0153885



31011R
Red Rear Control Box Handle Assembly



31012
Cab Control Box Handle

COMPATIBLE WITH

MTM	CON-TECH
0110147	705511



31014
Green Knob Kit with Nut and Bolt

COMPATIBLE WITH

MTM	CBMW	CON-TECH
0016552	80412125	705509



31015
Red Knob Kit with Nut and Bolt

COMPATIBLE WITH

MTM	CBMW	CON-TECH
0016553	80412124	705508



31016
5/16" Control Box Grease Fitting



31018
LH Drum Control Lever Plate

COMPATIBLE WITH

MTM
0153888

CON-TECH
705501



31019
RH Throttle Lever Plate

COMPATIBLE WITH

MTM
0153889

CON-TECH
705502



31020
Cab Lever Plate

COMPATIBLE WITH

MTM
0110146

CON-TECH
285766



31027
Rear Control Box Placard



31507
Cab Box Green Light Indicator

COMPATIBLE WITH

CON-TECH
715135



31506
Cab Box Red Light Indicator

COMPATIBLE WITH

MTM
1145141

CON-TECH
715136



31535
Cab Box Placard with Individual Switch
Cut-outs



32201
Control Cable Stop

COMPATIBLE WITH

CON-TECH
780100



33010
Drum Counter Read Switch

COMPATIBLE WITH

CON-TECH
715010



33012
Nylon Bolt with Magnet

COMPATIBLE WITH

MTM
0110271

CON-TECH
715018



33015
Eaton Digital Counter

COMPATIBLE WITH

MTM
0110173

CBMW
10432608

CON-TECH
715009

CONTROL BOXES AND ACCESSORIES



34000
On/ Off Switch with Pigtail

COMPATIBLE WITH

MTM 1166275	CON-TECH 715131
-----------------------	---------------------------



35100
Toggle Switch Half Boot

COMPATIBLE WITH

MTM 0110194	CON-TECH 730201
-----------------------	---------------------------



36000
Momentary Switch with Pigtail

COMPATIBLE WITH

MTM 0085693	CON-TECH 715130
-----------------------	---------------------------



REAR CONTROL BOXES

- 31015-6HP** Beck 6 Function Rear Control Box [Chute Lock, Chute Up/Down, Work Lights, Speed Control, Hopper Tilt, Pause/Resume]
- 31015-4** Beck 4 Function Rear Control Box [Chute Lock, Chute Up/Down, Work Lights, Speed Control]
- 31015-5H** Beck 5 Function Rear Control Box [Chute Lock, Chute Up/Down, Work Lights, Speed Control, Hopper Tilt]
- 31015-5P** Beck 5 Function Rear Control Box [Chute Lock, Chute Up/Down, Work Lights, Speed Control, Pause/Resume]



38105
Beck CL-709 In Cab Display Module



38110
Beck CL-103 Master Module for Non-Display



38115
Beck CL-449 Module for Conventional Mixers



38116 - Beck CL-451 Module for Interstate Class Mixers
38117 - Beck CL-305 Module



38118
Beck Power distribution module



38125
Beck 2x6 Rear Keypad



38140
Beck In Cab Eaton Keypad



38141
Beck Rear Control Eaton Keypad



38142
Beck Interstate Class In Cab Eaton Keypad



38120
Beck Interstate Class In Cab 2x3 Keypad



38126
Beck In Cab 2x6 Keypad



38127
Beck Interstate Class Rear Control Eaton Keypad

CONTROL CABLES



Beck	MTM	CBMW	CONTECH	Description
32060-W	0215805	10424259		5 ft. Control Cable- 60"
32072-W	0215806	10424260		6 ft. Control Cable- 72"
32084-W	0215807	10424261	780084	7 ft. Control Cable- 84"
32096-W	0215808	10424262	780096	8 ft. Control Cable- 96"
32120-W	0215810	10424264		10 ft. Control Cable- 120"
32156-W	0215813	10424267		13 ft. Control Cable- 156"
32168-W	0215814	10424268		14 ft. Control Cable- 168"
32204-W	0215817	10424281	780204	17 ft. Control Cable- 204"
32216-W	0215818	10424272	780216	18 ft. Control Cable- 216"
32228-W	0215819	10424273		19 ft. Control Cable- 228"
32240-W	0215820	10424274	780240	20 ft. Control Cable- 240"
32252-W	0215821	10424275	780252	21 ft. Control Cable- 252"
32264-W	0215822	10424275	780264	22 ft. Control Cable- 264"
32276-W	0215823	10424277	780276	23 ft. Control Cable- 276"
32288-W	0215824	10424278	780288	24 ft. Control Cable- 288"
32312-W	0215826	10424280	780312	26 ft. Control Cable- 312"
32324-W	0215827	10424281		27 ft. Control Cable- 324"
32336-W	0215828	10424282		28 ft. Control Cable- 336"



32600
1/4-28 Clevis for Control Cable

COMPATIBLE WITH

MTM	CBMW	CON-TECH
0000800	10420213	705008



32700
1/4-28 Ball Joint for Control Cable

COMPATIBLE WITH

MTM	CON-TECH
0120475	705041

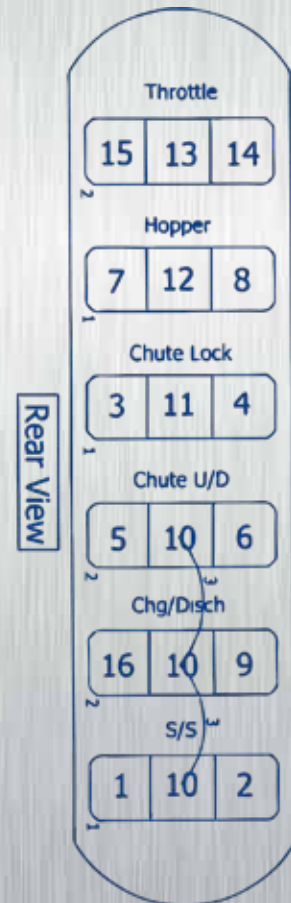
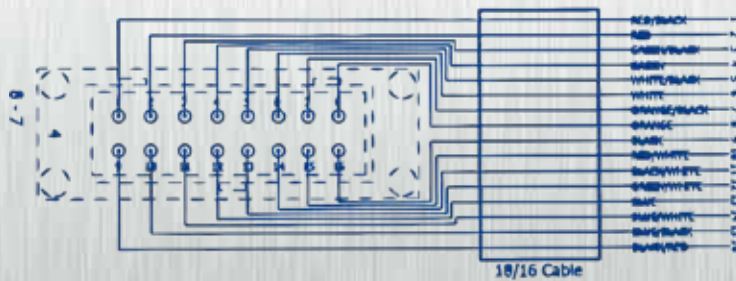


beck
concrete mixers

vortex

LIGHTING AND ELECTRICAL

Switches and Accessories 134-138
 Lights and Accessories 139-141





31507
Cab Box Green Light Indicator

COMPATIBLE WITH

CON-TECH
715135



31514
On/Off Switch



31515
Momentary Switch



33000
Electronic Drum Revolution Counter Kit



33010
Drum Counter Read Switch

COMPATIBLE WITH

MTM
1000065

CON-TECH
715010



33012
Nylon Bolt with Magnet

COMPATIBLE WITH

MTM
0110271

CON-TECH
715018

SWITCHES & ACCESSORIES



33015
Eaton Digital Counter

COMPATIBLE WITH

MTM	CBMW	CON-TECH
0110173	10432608	715009



34000
On/Off Switch with Pigtail

COMPATIBLE WITH

MTM	CON-TECH
1166275	715131



35100
Toggle Switch Half Boot

COMPATIBLE WITH

MTM	CON-TECH
0110194	730201



36000
Momentary Switch with Pigtail

COMPATIBLE WITH

MTM	CON-TECH
0085693	715130



36100
Beck Charge/Discharge and Chute Up/Down Rocker Switch, DPDT, Momentary 1-5/8"

COMPATIBLE WITH

MTM
0128011



36110
Beck Work Light Rocker Switch, On/Off 1-5/8" (Double Blue Light)



36120

Beck Hopper Tilt and Chute Lock Rocker Switch, On/Off 1-5/8" (Double Red Lense)

COMPATIBLE WITH

**MTM
0110144**



36125

Momentary Rocker Switch 1-5/8"



36135

Rocker Switch, Throttle Enable, On/Off 2"



36311

Rocker Switch, Chute Lock, On/Off 2" (Red)

COMPATIBLE WITH

**MTM
0189098**



36321

Rocker Switch, Work Lights, On/Off 1-5/8"

COMPATIBLE WITH

**MTM
0110254**



36322

Rocker Switch, Chute Up/Down with Paddle, Momentary 2"

COMPATIBLE WITH

**MTM
0110255**

SWITCHES & ACCESSORIES



36323

Rocker Switch, Charge/Discharge with Paddle, Momentary 2"

COMPATIBLE WITH

**MTM
0110256**



36332

3 Wire Main Chute Proximity Sensor (6' Cable Length)



36366

2 Wire Trailer in Motion Proximity Sensor (6' Cable Length)



36368

4 Wire Main Chute Proximity Sensor (30" Cable Length)



36341

Nason Switch

COMPATIBLE WITH

**MTM
0126137**



36344

Toggle Switch, On/Off with Spade

COMPATIBLE WITH

**MTM
0128730**

**CON-TECH
715133**



36354
Self Center Toggle Switch with Spade

COMPATIBLE WITH

MTM
0189136

CON-TECH
715132



36359
Nason Switch, Double Connector



36324
Rocker Switch, Hopper Tilt, On/Off 1-5/8"

COMPATIBLE WITH

MTM
0110257



36325
Rocker Switch, Chute Lock, On/Off 1-5/8"

COMPATIBLE WITH

MTM
0110258



36338
Beck Interstate Class Proximity Relay

LIGHTS & ACCESSORIES



- 31815** - Beck Main Harness
- 38134** - Beck Can-Bus Main Harness
- 38143** - Beck Interstate Class Can-Bus Main Harness



92003LED
Red LED Marker Light 2-1/2"

COMPATIBLE WITH

MTM
3043395

CON-TECH
715023



92004LED
Yellow LED Marker Light 2-1/2"

COMPATIBLE WITH

CON-TECH
715024



- 92008** - Back-Up Alarm [Beeping]
- 92539** - Broadband Back-Up White Noise Alarm



92503
Side Marker Harness 172"



92505
Rear Marker Harness with Pigtail



92506
Rear Clearance Marker Harness 208"



92516
Grote Work Lamp

COMPATIBLE WITH

MTM
1865340



92516LED
LED Work Light



92540LED
Red LED Light 4"

COMPATIBLE WITH

CON-TECH
715022



92541LED
Backup Clear LED 4"

COMPATIBLE WITH

CON-TECH
715026



92542
4" Closed Back Grommet

LIGHTS & ACCESSORIES



92545
2-1/2" Closed Back Grommet

COMPATIBLE WITH

MTM
1240516

CON-TECH
715001



92546
LED License Lamp

COMPATIBLE WITH

MTM
1577540

CON-TECH
715019



92564
Amber LED Strobe Light 4"

COMPATIBLE WITH

CON-TECH
715028

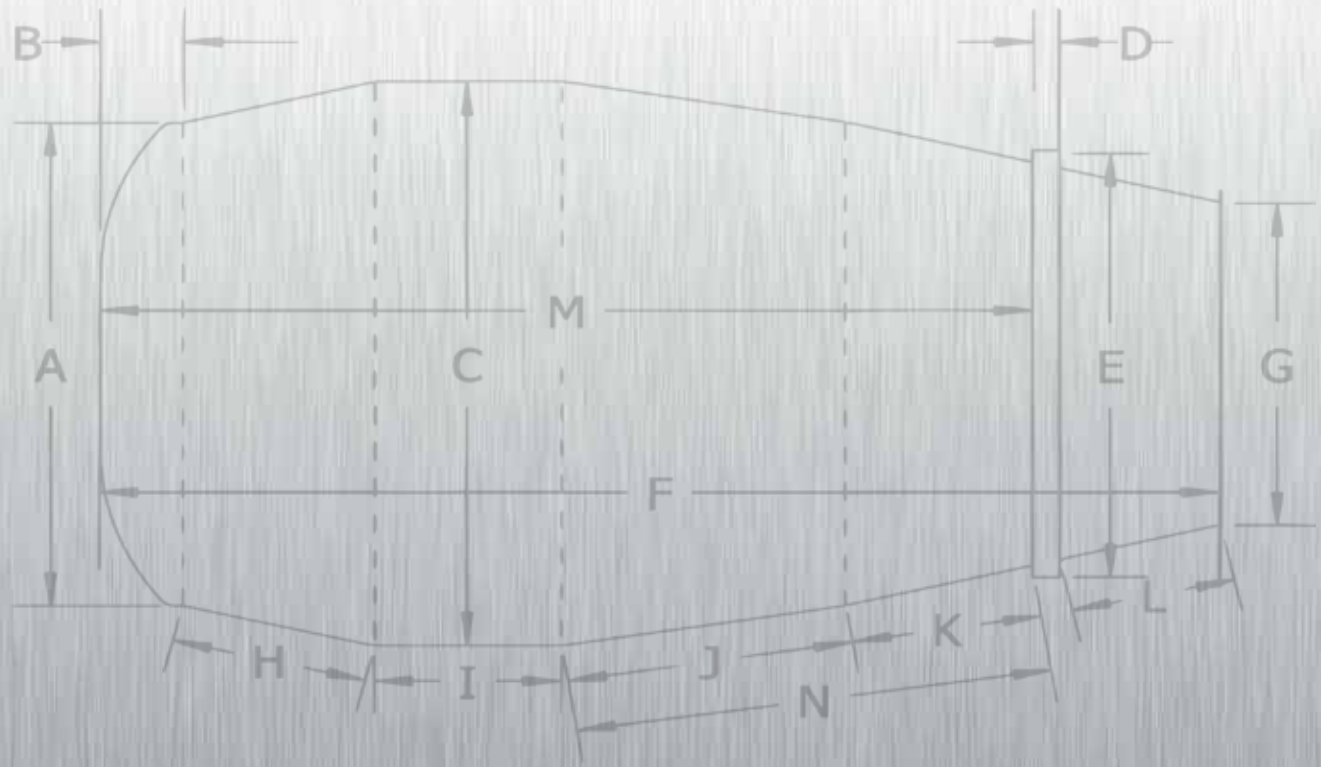


beck industrial

bet rosta

MISCELLANEOUS

Drum Parts 144-145
 Drum Measurement Sheet 146
 Camera Systems 147



beckindustrial.com/store
 877-777-BECK



2BK050
Beck 10.5 yd. 1/4" Blade Kit



2BS013
Beck Hatch Door



2BS020
Beck Drum Hatch Frame



2FSHG
Beck Hatch Frame Gasket



2MTMHG
MTM Hatch Frame Gasket



SERIAL PLATE
Serial Plates Available for All Beck Mixers
[Please specify drum size when ordering]

COMPATIBLE WITH

MTM
0215208

CON-TECH
72506

DRUM PARTS



93500
Safety Decal Kit



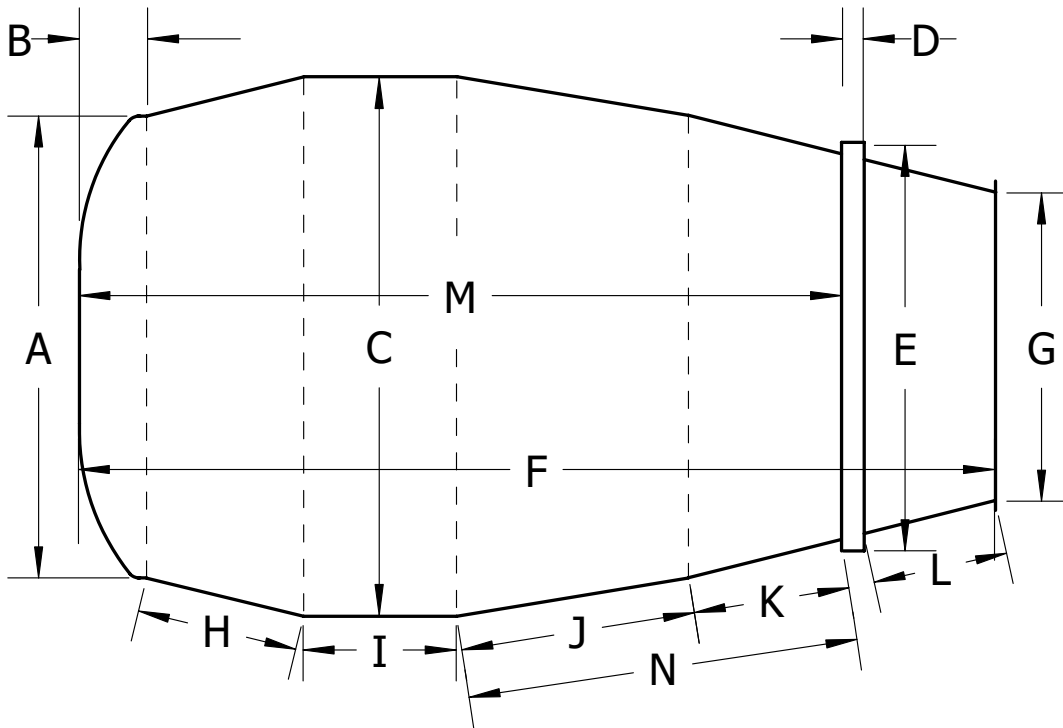
TARPK
Beck Frame Tarp Kit with Straps
(For Conventional Mixers only)

Replacement Drums

Flange Type (Number of Holes) _____	Customer _____
Drum Manufacturer _____	Address _____
Drum Capacity (Cubic Yards) _____	City _____ State _____
Thickness of Drum Shell 1/4" <input type="checkbox"/> 3/16" <input type="checkbox"/>	Phone # _____
Thickness of Blades 1/4" <input type="checkbox"/> 3/16" <input type="checkbox"/>	Date _____

Replacement mixer drums are available for your Beck, MTM, CBMW, or London mixer. Please contact Beck Industrial for instructions on placing your order.

Beck Industrial Custom fabricates your replacement drum to your specifications. Please measure to the center of the welds, and as accurately as possible to ensure a proper fit.



Identification	Notes	Description	Dimension
A*		Circumference	
B*		Flange to Seam	
C*		Circumference	
D*		Drum Track Width	
E*		Circumference	
F*		Total Length	
G*		Mouth Opening I.D.	
H*		Seam to Seam	
I*		Seam to Seam	
J*	4-Piece Only	Seam to Seam	
K*	4-Piece Only	Seam to Drum Track	
L*		Drum Track to Drip Ring	
M*		Flange to Drum Track	
N*	3-Piece Only	Seam to Drum Track	

* All Dimensions Are Critical

CAMERA SYSTEMS



34103
ProVision Blindspot Camera



34104
ProVision Backup Camera w/ Monitor



34105
ProVision Ultrasonic Sensor Kit



34106, 34107
ProVision 10m AV Cable
ProVision 5m AV Cable

CAMERA SYSTEMS

HOUSTON (281) 881-1104 · GEORGIA (336) 264-3308 · PANAMA (507) 229-3128 · MEXICO +52(778) 735-9750

PARTS & SERVICE

41 (8 REQ'D)

47 (16 REQ'D)

In-Stock and ready to ship.
Contact our knowledgeable staff today.

Quality Manufacturing, Fit-Up and Durability

Beck Industrial is your one source for quality drums and replacement parts for all major mixer makes. Buy your new mixers from Beck, and keep your other mixers making money with parts built and sourced under the most rigorous quality standards in the industry. Beck maintains an extensive inventory for rapid delivery, and best of all... they'll fit! Reduce downtime and costs by calling Beck Industrial or shopping online at www.beckindustrial.com/store.

Need Parts for Another Mixer Brand? No Problem!

Beck Industrial manufactures, purchases, and stocks common replacement parts for most mixer makes and models. Call the friendly, knowledgeable people at Beck Industrial for all of your mixer parts needs and you'll get back to delivering mud in no time.



Headquarters

2510 FM 1516 N
Converse, TX 78109
Andre Espinoza
877-777-BECK
www.beckindustrial.com

Houston

4847 Homestead, Suite 400
Houston, TX 77028
Shawn Vancleave
281-881-1104

Georgia

13061 Veterans Memorial Hwy
Douglasville, GA 30134
Mitch Herron
336-264-3308

Panama

F. Icaza y Cía, S.A.
Avenida S. Bolívar
Apartado 55-0877, Paitilla
Panamá, Rep. de Panamá
Teléfono: (507) 229-3377
Fax: (507) 229-3128

Mexico

ODISA
info@odisa.com
TEL + 52 (778) 735 9750
HIDALGO, MEXICO.

[877] 777-BECK
www.beckindustrial.com/store

beck industrial